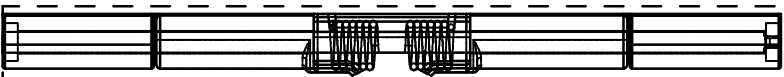
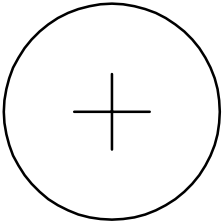


ALIGN WITH TOP EDGE OF GENERATOR WALL

TEMPLATE PRINTED 1 TO 1



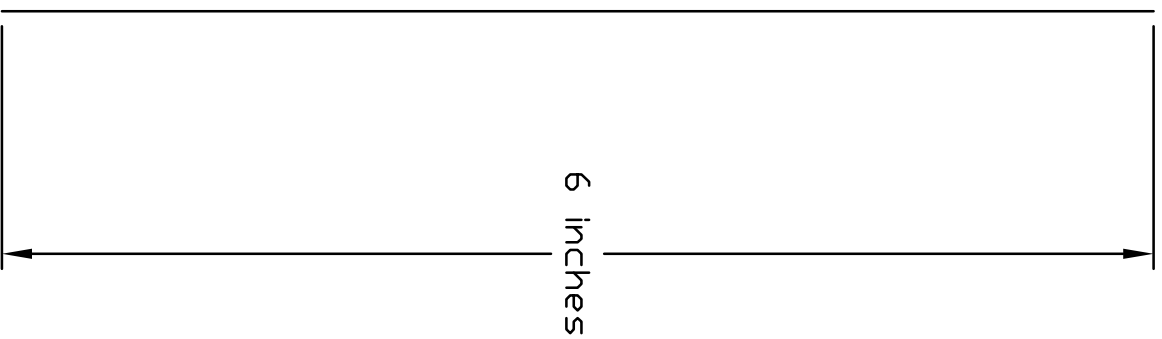
ALIGN WITH CIRCUIT BREAKER HINGE



1 1/8 INCH
(29mm) HOLE

1. CUT OUT TEMPLATE ALONG THE DOTTED LINE.
2. SEE PAGE 2 FOR TEMPLATE USAGE INSTRUCTIONS

FOLD LINE



VERIFY TEMPLATE IS TO SCALE
USING 6 INCH LINE

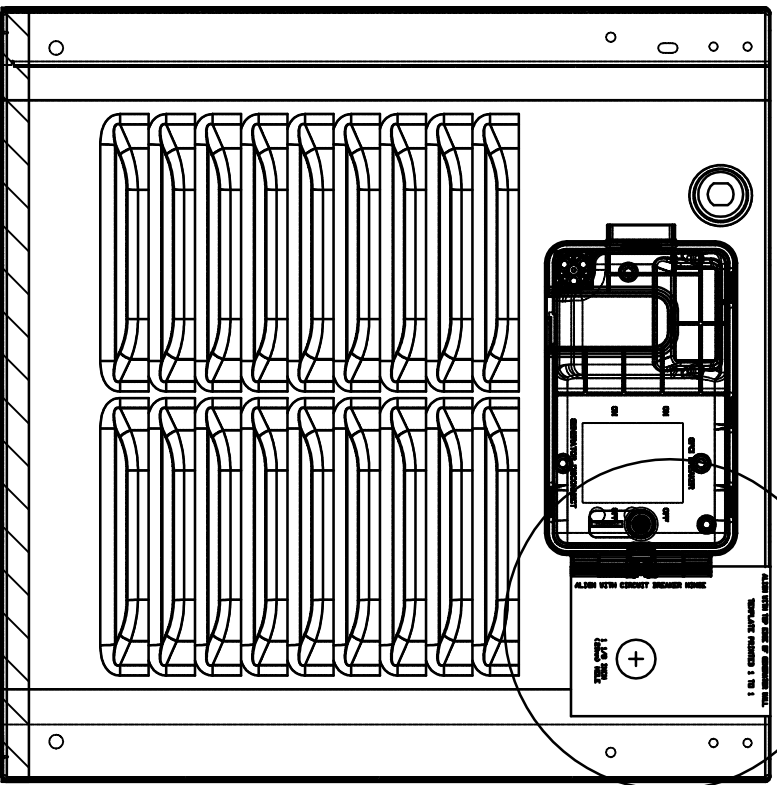
ILLUSTRATION:

TITLE

DRAWING #: DRAWING_NO

DETAIL "A"

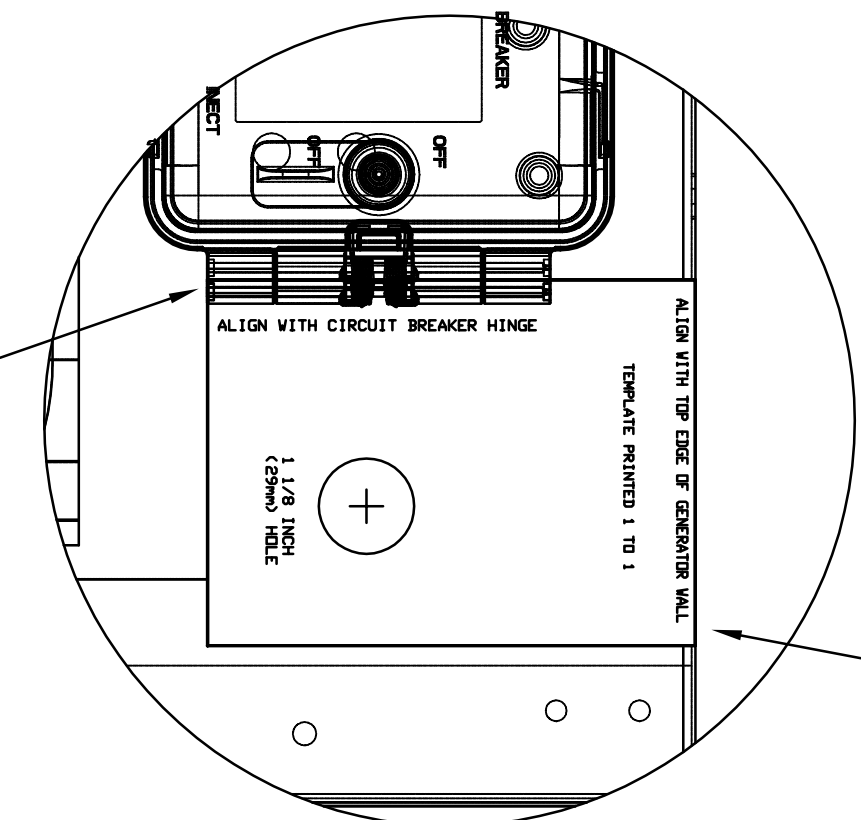
SEE DETAIL A



AIR COOLED
HOME STANDBY
END PANEL.

FOLD LINE

1. ALIGN THE TOP EDGE OF THE TEMPLATE WITH THE TOP EDGE OF THE GENERATOR WALL.



2. LINE UP THE BOTTOM LEFT CORNER OF THE TEMPLATE WITH THE BOTTOM OF THE CIRCUIT BREAKER COVER HINGE.
3. TAPE TEMPLATE IN PLACE
4. DRILL A 1 1/8 INCH (29mm) HOLE AT THE CROSS HAIRS OR DRILL A PILOT HOLE AND USE A 3/4 INCH GREENLEE NPT PUNCH.