

1.0 SPECIFICATIONS..... 2
 1.1 HIGH ALTITUDE OPERATION..... 2
2.0 INSTALLATION REQUIREMENTS 2
3.0 VENTING..... 3
 3.1 VENT PIPE MATERIAL 3
 3.2 VENTING CLEARANCES 3
 3.3 VENTING CONFIGURATIONS 4
 3.4 DETERMINING VENT LENGTHS 7
4.0 CONDENSATE DRAIN..... 8
5.0 INSTALLING GAS PIPING 9
 5.1 INSTALLATION 9
 5.2 TESTING AND SETTINGS 9
6.0 HEATING SYSTEM PIPING 10
IMPORTANT 11
 6.1 PRIMARY LOOP PLUMBING..... 11
 6.2 SECONDARY LOOP HEATING SYSTEM..... 14
 6.2.1 Multiple Zones using Zone Valves..... 14
 6.2.2 Multiple Zones using Pumps..... 14
 1 14
 6.2.3 Multiple Zones with different temperatures..... 15
 6.3 DOMESTIC COMBI SYSTEM..... 16
7.0 WIRING..... 18
 7.1 SIMPLIFIED WIRING CONNECTIONS..... 19
 7.2 ADVANCED WIRING SYSTEMS 20
 7.2.1 MULTIPLE 4 WIRE ZONE VALVES 20
 7.2.2 MULTIPLE ZONES WITH TACO VALVE CONTROLLER..... 21
 7.2.3 Multiple Zones Pump controller 22
8.0 SENTRY 2100T CONTROLLER..... 24
9.0 LIGHTING BOILER 27
 9.1 INITIAL START-UP 27
 9.2 RE-LIGHTING UNIT 27
 9.3 TURN OFF BOILER 27
10.0 TROUBLE SHOOTING 28
11.0 SEQUENCE OF OPERATION 31
13.0 ANNUAL MAINTENANCE AND INSPECTION..... 33
 13.01 COMBUSTION CHAMBER CLEANING..... 33
14.0 PARTS LIST 34
15.0 WARRANTY..... 35



SAVE THESE INSTRUCTIONS

Installer must leave, and affix these Instructions close or adjacent to the boiler

CAUTION: IT IS THE RESPONSIBILITY OF THE HOMEOWNER TO KEEP THE VENT TERMINAL CLEAR OF SNOW AND ICE.



Warning

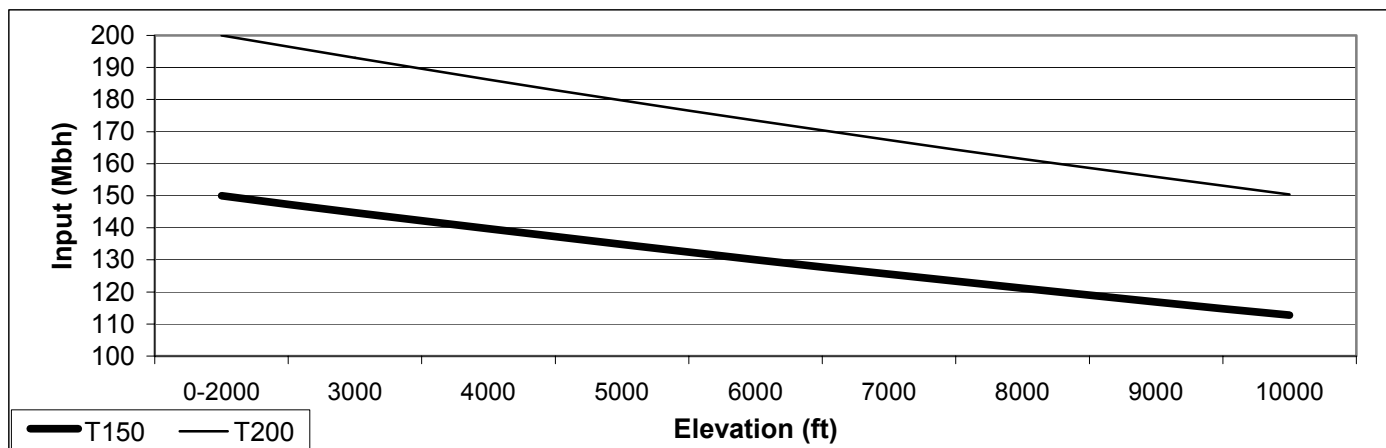
THIS BOILER MUST HAVE WATER FLOWING THROUGH IT WHENEVER THE BURNER IS ON. FAILURE TO DO THIS WILL DAMAGE THE UNIT AND VOID THE WARRANTY.

1.0 SPECIFICATIONS

Description	T150	T200
Input (BTUx1000) Input Capacity - Max. / Min.	Natural = 145 / 50 Propane = 140 / 50	Natural = 200 / 75 Propane = 190 / 75
Output (BTUx1000) Output Capacity - Max. / Min.	Nat=137 / 47.5 Propane = 133 / 47.5	Natural= 188 / 70.5 Propane = 178.6 / 70.5
Steady State Efficiency	95%	94%
AFUE Efficiency	91.9%	90.8%
Venting material	ABS, CPVC, PVC ^{Sch. 40} , AL294C stainless	
Max. Vent lengths 2"	15 Equivalent Feet (natural only)	Not permitted
Max. Vent lengths 3"	105 Equivalent Feet ((Natural Gas Only))	
Max. Vent lengths 3"	50 Equivalent Feet ((Propane))	
Weight	90 lbs.	
Dimensions L-W-D	23.75 – 20.5 – 15	
Clearance to Combustibles	0"	

1.1 High Altitude Operation

The Trinity boiler is designed to operate to capacity in installations with 2000 feet of elevation or less. As elevations higher than 2000 feet have less dense air, the unit is not capable of providing its specified capacity. The affect of elevation will de-rate the input by approximately 3.6% per 1000 foot of elevation, (see following Chart).



CAUTION

At elevations greater than 2000 feet, the combustion of the Trinity must be checked with a calibrated combustion tester to ensure safe and reliable operation. Consult section 5.20 for instructions on adjusting the input to provide proper operation.

It is the Installers responsibility to check the combustion, and to adjust the combustion in accordance to section 5.20

2.0 INSTALLATION REQUIREMENTS

The installation of your NY Thermal Trinity gas boiler must conform to the requirements of your local authority, and the National Fuel Gas Code ANSI Z223.1 and or CAN/CGA B149 Installation Codes. Where required by the Authority, the installation must conform to the standard for “Controls and Safety Devices for Automatically Fired Boilers ANSI/ASME CSD-1

LIQUEFIED PETROLEUM (LP) PROPANE

Attention: The Trinity boiler is set to operate with Natural Gas, an LP Conversion Kit Part No. 82066-1 is included with each boiler and must be installed before operating with Propane.

Liquefied petroleum (LP) propane gas is heavier than air; it is imperative that your boiler is not installed in a pit or similar location that will permit heavier than air gas to collect. Local Codes may require appliances fueled with LP gas be provided with an approved means, of removing unburned gases from the room. Check your local codes for this requirement.

2.10 LOCATION

In all cases, the Trinity boiler must be installed indoors, in a dry location, such that the gas components are protected from dripping or spraying water or rain, during operation and servicing. The boiler location ambient temperature is maintained to a minimum of 50°F. Determine the best location of the vent termination, and if possible locate the boiler as close to the termination point as possible.

Clearances

To ensure proper and safe installation of your boiler, adhere to the following clearances to combustibles:

Boiler Casing=0" Floor = Combustible Flue Pipe: Boxed in or enclosed =2", In free air=0"

The following are the minimum clearances for servicing, however 24" is recommended:

Front = 24" Back = 0" Top = 12" Sides = 5" Bottom = 12"

Ensure that the desired boiler location is not subjected to flooding or high moisture levels, for damage to the boiler will occur, voiding your NY THERMAL warranty.

3.0 VENTING

The NY Thermal Trinity condensing gas boiler is a high efficiency boiler utilizing induced power venting, which is designed to be vented directly outdoors, using the venting method detailed in this section. Under no conditions, may this unit vent gases into a masonry chimney, unless it is vacant, and utilizes the Trinity approved venting material (Solid core ABS Pipe, PVC^{sch. 40}, CPVC pipe, AL29-4C Stainless steel pipe) as illustrated in the figure on page 5.

3.1 VENT PIPE MATERIAL

Selection of the vent pipe material must be based upon the Local codes and regulations. The Trinity boiler is certified to operate under all conditions using solid core ABS, PVC^{sch. 40}, or CPVC. Local codes may prohibit the use of plastics, and stainless steel venting must be used (AL29-4C).

3.2 VENTING CLEARANCES

1. It is highly recommended that the vent terminal be located where it will not be exposed to normal prevailing winds.
2. The exhaust must be a minimum of 18" above the air inlet, and the air inlet must always be a minimum of 12" plus snow allowance above any surface that will support snow. (Two feet plus snow allowance is highly recommended). Consult your weather office, for the maximum typical snowfall for your region. Example: New Brunswick Canada the maximum typical snowfall is 19", Thus in figures of Section 3.3, the inlet must be (12"+19") = 31" off the ground, the exhaust must be (31"+18") = 49".

3. The horizontal distance between the inlet and exhaust must be a minimum of 4" center to center. If the horizontal distance between the inlet and exhaust is more than 12", increase the vertical separation by the same amount. Example: If horizontal separation is 24", a minimum vertical separation of 30" is required (24"-12"=12"), so increase minimum vertical separation by 12", (18"+12"=30"). If horizontal distance is greater than 6', no additional vertical spacing is required. Vertical separation is never required to be greater than 36".
4. Under normal operating conditions this appliance will produce a plume of white gases, and should be taken into consideration when selecting an adequate location. A 3' diameter stainless, plastic, or vinyl shield can be used to flash the exterior of the residence.

The vent terminal shall not terminate:

- Directly above a paved sidewalk or a paved driveway that is located between two buildings, and that serves both buildings;
- Less than 7 feet above grade where located adjacent to a paved driveway or public walkway.
- Within 3' (three feet) horizontally of a window or door that can be opened, or non-mechanical air supply inlet to any building.
- Within 6' of a mechanical air supply inlet to any building, or roof eave containing soffit openings.
- Above a meter/regulator assembly within 3' horizontally of the vertical centerline of the regulator.
- Within 6' of any gas service regulator vent outlet.
- Less than 30" plus snow allowance above grade, or any surface that will support snow, ice, or debris. ***The exhaust must be a minimum of 18" above the air inlet, and the air inlet must always be a minimum of 12" plus snow allowance above any surface that will support snow. (Two feet plus snow allowance is highly recommended). Consult your weather office, for the maximum typical snowfall for your region.***
- Underneath a wooden verandah, porch, or deck.
- Underneath cement verandah, porch, or deck, unless both ends are open and the exhaust pipe is installed at least 24" under the deck floor.
- So situated that the flue gases are directed towards brickwork, siding, or other construction, in such a manner that may cause damage from heat or condensate from the flue gases
- Less than 3' from an inside corner of an L-shaped structure (including walls and fences).

These are code restrictions for the location of the Flue gas vent terminal. Compliance doesn't insure a satisfactory installation; good common sense must also be applied.

3.3 VENTING CONFIGURATIONS

Selection of acceptable venting materials is as follows.

Vent Piping A -C: See Chart for maximum lengths

- 2" or 3" ABS solid core.
- 2" or 3" PVC schedule 40 pipe.
- 2" or 3" CPVC schedule 40 pipe.
- 3" AL29-4C flex Stainless vent
- 3" AL29-4C Rigid Stainless Vent.

Air Supply Vent B: See Chart for maximum lengths

- 2" or 3" ABS.
- 2" or 3" PVC schedule 40 pipe.
- 3" Galvanized Steel pipe
- 3" Flex Aluminum (MAX 20')

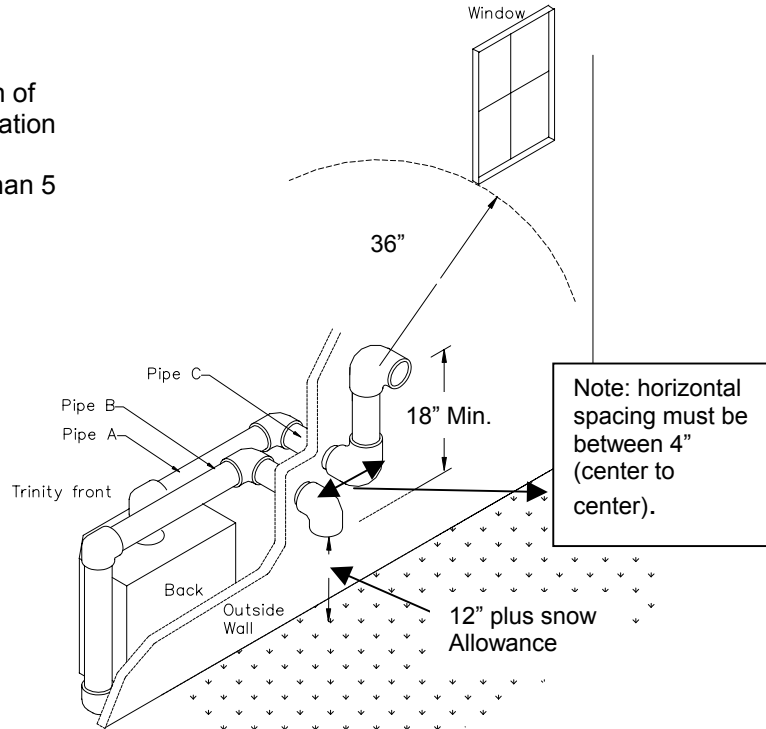
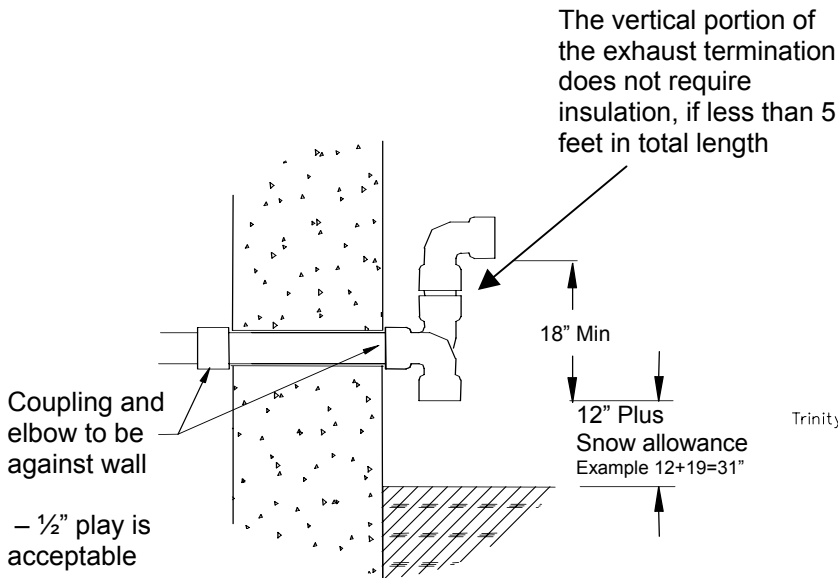
Warning

Field supplied piping and fittings are required to complete installation. The combustion air and vent pipe and fittings must conform to ANSI and ASTM standard D1785 (schedule 40 PVC), D2665 (PVC-DWV), and D2661 (ABS-DWV). Pipe cement and primer must conform to ASTM standard D2564 (PVC) or D2235 (ABS).

Warning

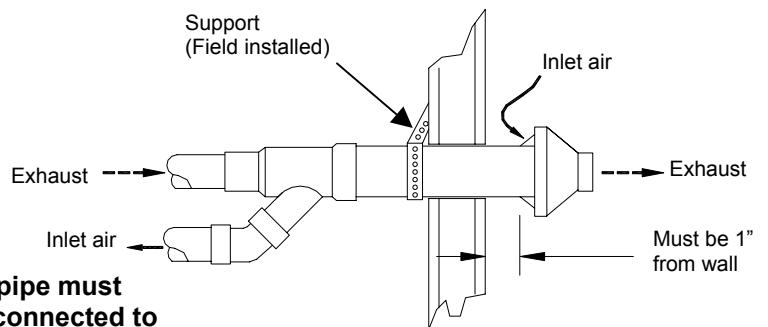
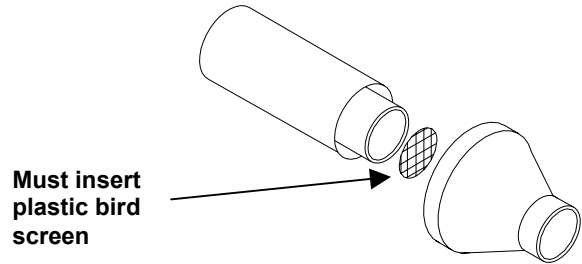
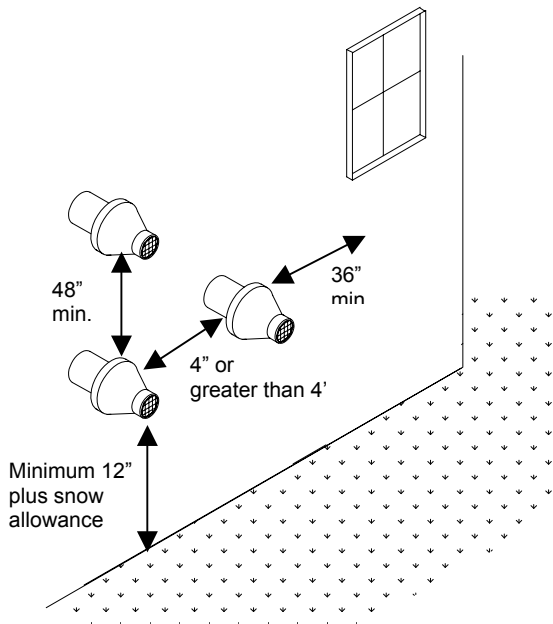
Never mix 2" and 3" pipe in the same installation. (All 2" or all 3")

Two Pipe Vent Terminals

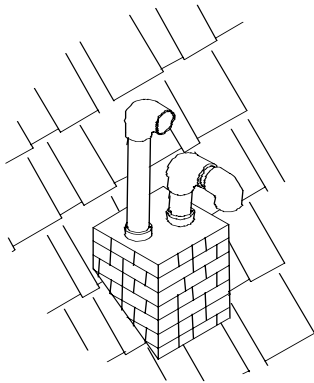


Concentric vent terminal
 Use NTI part # 82666 or
 York Part# 1CT0303

Clearances and requirements of this manual supersede, those of the Instructions enclosed in vent terminal #650.75-N2, which contain more detailed assembly instructions.



Note: inlet pipe must always be connected to the boiler.

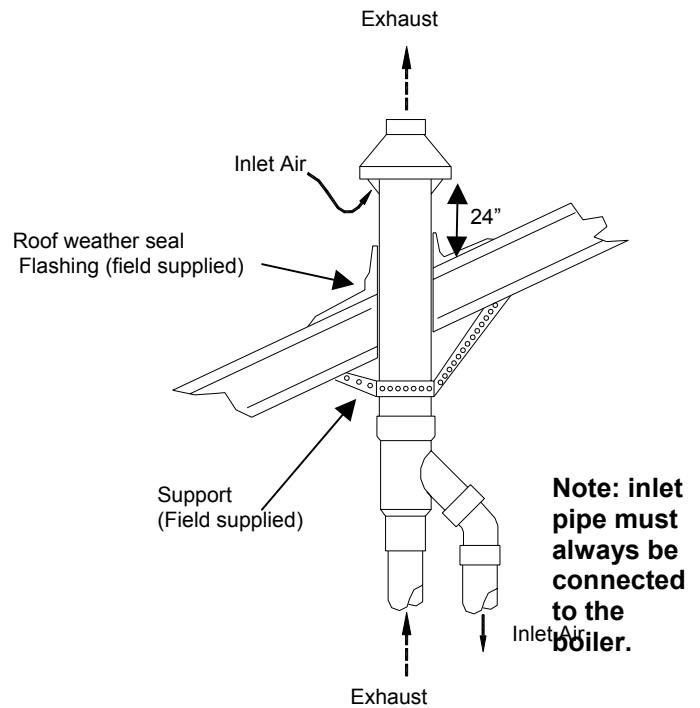
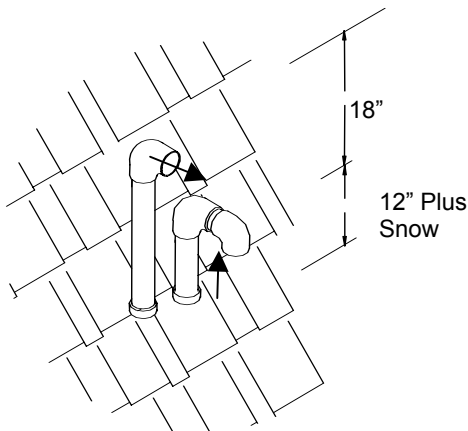


Use of existing Chimney

It is permissible to run vent pipe through an existing chimney as long as:

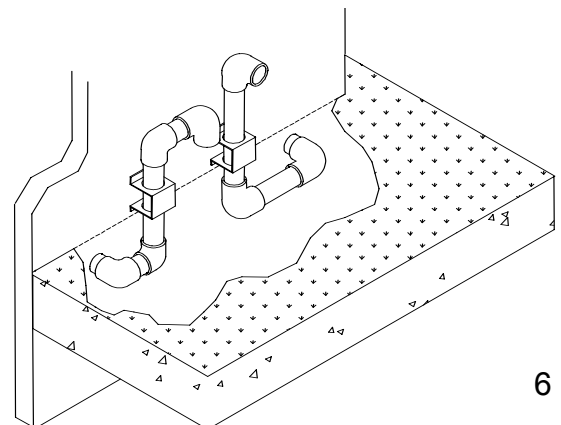
- 1) The chimney is not to be used by any other appliance.
- 2) Flue gases don't enter the vacant chimney.
- 3) Only ABS, PVC^{sch.40}, CPVC, or AL294C pipe is used.
- 4) Vent lengths are within the maximums specified.

Roof Venting

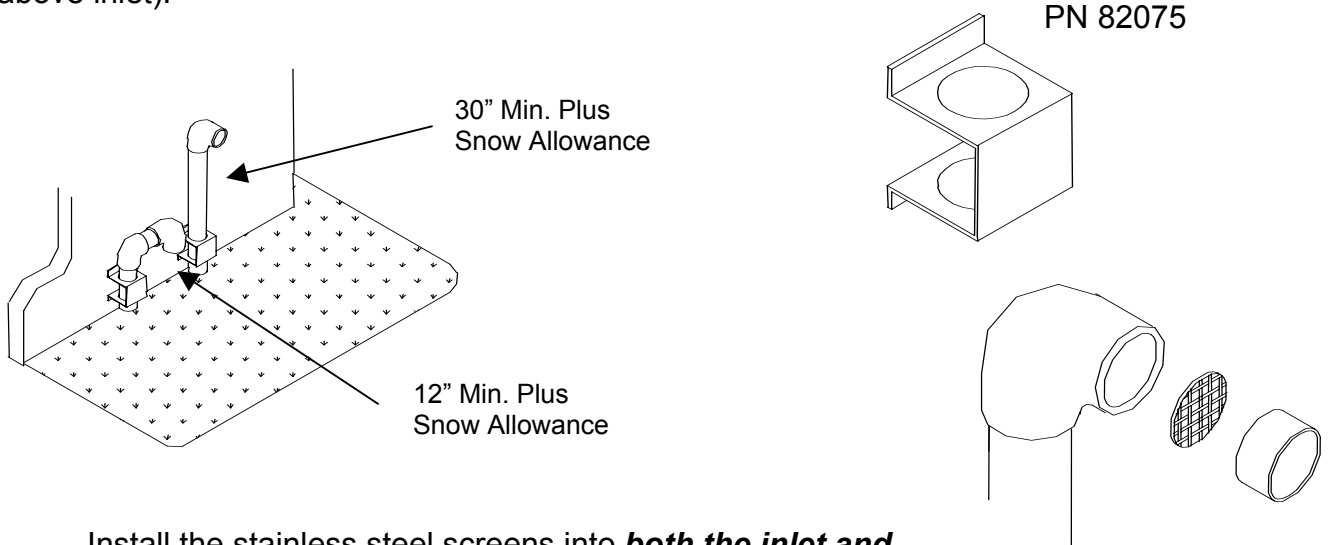


Notes

- 1.) If the horizontal distance between the inlet and exhaust is more than 12", increase minimum vertical separation by the same amount. (If horizontal distance is greater than 6', no additional vertical spacing is required). Example, horizontal separation equal to 24" requires a minimum vertical separation of $18" + (24" - 12") = 30"$. (Vertical separation is never required to be greater than 36")
- 2.) Elbows on outside of wall must be no greater than 1/2" away from the wall.
- 3.) All indoor exhaust piping must be on a slope back to the boiler 1/4" per linear foot of vent.
- 4.) Exhaust and Inlet venting must have screens installed at the termination (See figure on page 6).
- 5.) Exhaust vent pipe can be secured to the wall for more rigidity.
- 6.) In all roof applications the discharge must point away from the pitch of the roof.
- 7.) Install adequate flashing where the pipe enters the roof, to prevent water leakage.
- 8.) Install and seal a rain cap over existing chimney openings, in vacant chimney applications.
- 9.) For installations that exit the wall below grade.



Excavate site as shown in figure, to a point below where the pipes are to exit. Ensure that the wall is fully sealed where the pipes penetrate the wall. The vent piping **MUST** be secured to the side of the building above grade, as shown, to provide rigidity. NTI Provides a mounting bracket PN. 82075 for securing the exhaust pipes. Ensure that the vent clearances are maintained (Inlet minimum 12" plus snow allowance from grade, exhaust outlet 18" minimum above inlet).



- 10.) Install the stainless steel screens into **both the inlet and exhaust** vent terminal elbows. The screen must be on the outside of the last elbow. Install the screen into the female opening of the elbow. Then cut a small piece of pipe to sandwich the screen into the elbow. NOTE be sure that the small piece of pipe cut, does not extend past the end of the elbow. Two screens for 3" pipe and two screens for 2" pipe are provided in the package.

3.4 DETERMINING VENT LENGTHS

Use the following chart to determine the maximum amount of vent pipe that can be used. This chart calculates, sweep and 45° elbows, and 90° elbows at 5 equivalent feet.

Warning

Combustion air that contains chloride, fluoride, bromine, or iodine can cause corrosion of the heat exchanger, voiding your warranty.

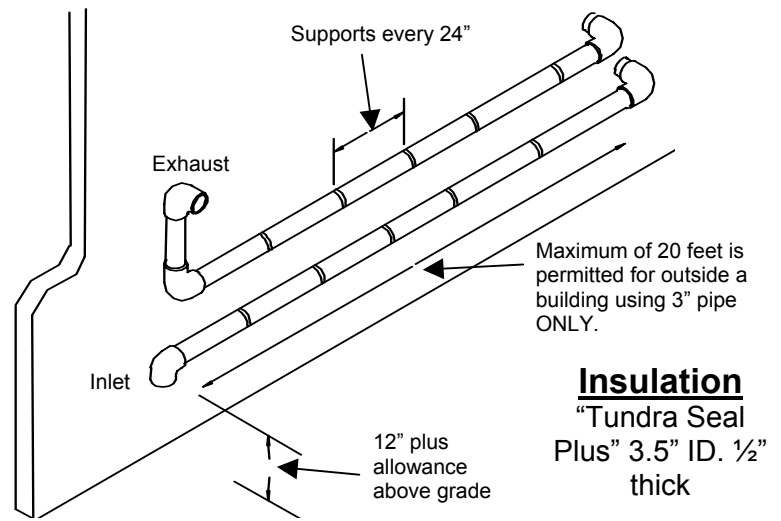
IMPORTANT: The vent pipe lengths for the air inlet must NEVER EXCEED THE LENGTH OF THE EXHAUST. The exhaust pipe may exceed the inlet pipe by as much as 20 equivalent feet.

The three 90° elbows of the exterior vent piping (two outlet, and one inlet) do not have to be included, as they are taken into consideration in the vent calculations.*Note: When fired with Propane 2" venting cannot be used. The venting must be 3" and can only be used up to 50 feet equivalent.

Model	Pipe size	Max. Equiv. Length	Number of Elbows or 45								
			1	2	3	4	5	6	7	8	9
T150*	2"	15	10	5	0						
T150 & T200	3"	105	100	95	90	85	80	75	70	65	60
T150 & T200*	3"	50	45	40	35	30	25	20	15	10	5


Vent piping outside the Building is permitted under the following conditions:

1. The maximum length outside the building is 20 feet.
2. Only 3" pipe can be used.
3. All normal termination clearances are maintained.
4. All exterior exhaust vent pipes are insulated with 3.5"-ID, 1/2"-thick **Closed Cell Foamed Polyolefin Tubing** i.e., "Tundra Seal Plus" or equivalent.
5. The pipe is supported every 24"
6. The exhaust and inlet are sloped back to the boiler 1/2" elevation for every foot.



4.0 CONDENSATE DRAIN

This unit produces water as a product of combustion. Much of this water condenses on the heat exchanger and in the venting system. All exhaust piping must be on a slope back to the boiler 1/4" per linear foot of vent. Steps must be taken to ensure that condensate does not collect in the venting system. Condensate must be drained from the boiler into a household drain. (Note check with your municipality, or local gas company to determine if disposal of combustion condensate is permitted)

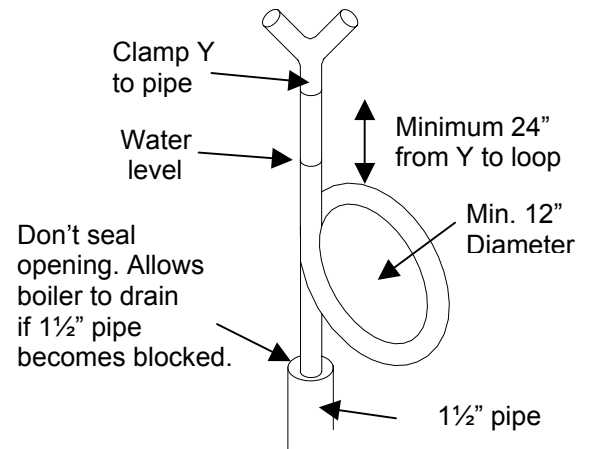


Warning

Failure to properly connect the condensate line will cause combustion gases to enter the room, possibly causing serious injury to occupants or death.

The following are important notes that must be taken into consideration when constructing the condensate system:

- Construct a small loop using 1/2" silicone, rubber, reinforced nylon, or PEX tubing to create a trap, so that combustion products do not escape into the room via the drain. **Do not use nylon, as it will collapse, blocking drainage, and could damage the boiler.**
- This trap must be primed with water, by adding a cup of water into this loop, prior to connecting it to the unit.
- **DO NOT** run condensate line outside. A frozen or blocked drain will cause the condensate to fill the combustion chamber. This will result in a no heat condition, as the unit will shut down, and damage to the flame sensor, and components can occur.
- **NEVER** use copper, steel, or galvanized piping in the construction of the condensate system.
- When a condensate pump is used or required, select a pump that is designed for residential furnaces.



5.0 INSTALLING GAS PIPING

5.1 Installation

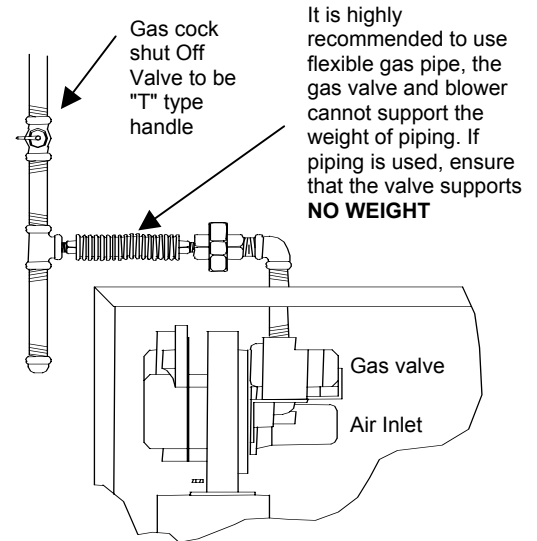
Refer to the current **National Fuel Gas Code ANSI Z223.1/NFPA 54** or **CAN/CGA B149.1** installation codes, and local codes for gas piping requirements and sizing.

Pipe size running to the unit depends on:

- Length of pipe.
- Number of fittings.
- Type of gas.
- Maximum input requirement of all gas appliances in the residence.

Insure that:

- Flexible gas pipe is used (if acceptable by local codes). The gas valve and blower cannot support the weight of piping, leading to blower vibration and damaged components. If rigid piping is used, ensure that the valve supports **NO WEIGHT**
- You plan the installation so that the piping does not interfere with the vent pipe, or the removal of the valve, burner, and serviceable components.
- The Boiler shall be installed such that the gas ignition system components are protected from water (dripping, spraying, rain etc.) during installation and servicing.
- The gas piping is large enough for all the appliances in the home. No appreciable drop in line or manifold pressure should occur when any unit (or combination of units) lights or runs.
- Always use a pipe-threading compound that is resistant to propane (LP) gas solvent action. Use sparingly to all male threads, starting at two threads from the end. Over doping or applying dope to the female end, can result in a blocked gas line.
- **DO NOT TIGHTEN FITTINGS WITHOUT SUPPORTING THE GAS VALVE** as damage to the valve or motor can occur.
- Install a manual "equipment Shut-Off Valve" as shown. Valve must be listed by a nationally recognized testing lab.



5.2 Testing and settings

When running, the line pressure supplying the unit must be **4-9 inches w.c. for Natural gas** installations and **9-12" for Propane** installations. Ensure that the regulator is capable of maintaining this pressure under all operational conditions.

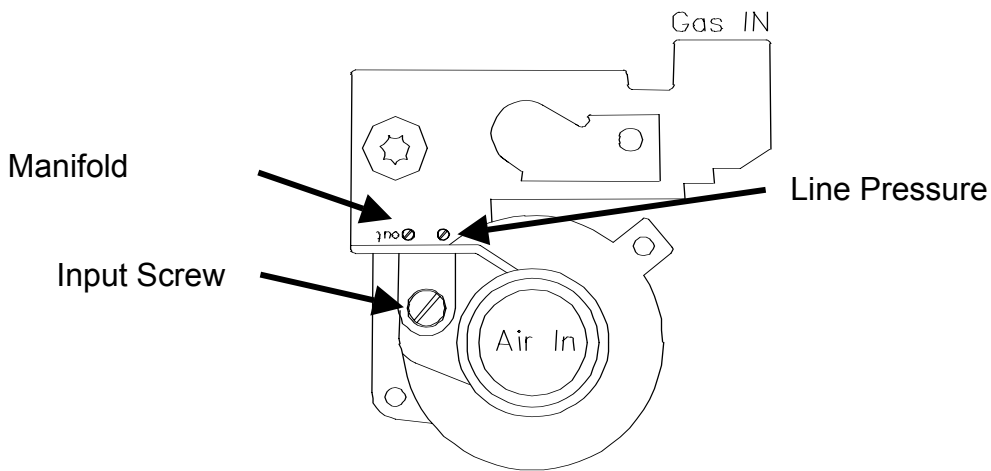
The gas valve is equipped with two bleed ports; one is for the Manifold pressure, which must be 0.00" w.c. when running, and the other is the line pressure. (4-9" for natural and 9-12" for Propane while running)

Warning

If line pressure exceeds ½ PSI (14 inches w.c.) completely disconnect line to gas valve. This excessive pressure can damage valve, causing a leak resulting in fire or explosion.

Normal Range of Gases in Flue Gases
(At maximum fan speed of 205 on Sentry display)

	Gas	
	Natural	Propane
Carbon Dioxide CO ₂ %	8-9.5	9-10.5
Carbon Monoxide CO ppm	25-175	25-175
NO _x ppm	10-50	10-50

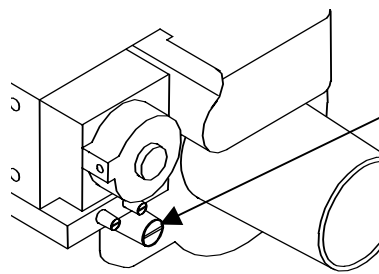


The input Screw **“MUST NEVER BE ADJUSTED”** unless you have a calibrated combustion analyzer to verify the combustion properties are within normal operating ranges. ***The Trinity boiler employs a pneumatic modulation system. This modulation system increases or decreases the velocity of the blower, to meet the demand for heating. The gas valve, senses this change, in blower pressure, and introduces***


the required amount of gas, to ensure correct combustion.


Caution

The Trinity is tested with natural gas having a heating value of 1020 BTU per cubic foot. For areas with lower heating values, a combustion test is required to obtain optimum operation.



Input Screw

Decrease gas
Turn Clockwise 

Increase gas
Turn counterclockwise 

IF FOR ANY REASON THE INPUT SCREW IS ADJUSTED, A “COMBUSTION ANALYZER” MUST BE USED TO ENSURE SAFE AND PROPER OPERATION.

6.0 HEATING SYSTEM PIPING

Warning



This boiler must have adequate water flowing through it whenever the burner is on. Failure to do this will damage the unit and void the warranty.

Warning for all Systems



All systems must be flushed to remove sediment, flux, filings, etc. Failure to do so will seriously damage the boiler, voiding warranty. (Recommend using Fernox cleaning products “Superfloc” for new installations and CHR “Central Heating Restorer” for retrofits)

Warning for all Systems



The boiler fittings can’t support any weight. Support all of the plumbing system externally. Do not apply torque to the boiler fittings. Hold the fitting when installing, otherwise damage to the unit will occur.

Caution: This boiler is designed to operate in residential and commercial heating systems, and is not intended for:

- 1. Outdoor installations, or unheated spaces, which can cause freezing.**
- 2. Process heating of potable water, or any other fluids.**
- 3. Un-pressurized, and gravity feed heating systems.**
- 4. Heating systems with very low pressures (min 5 psi) or flow. (min 6 GPM)**

IMPORTANT

1. Understand and follow the plumbing requirements provided in this section.
2. Keep serviceability in mind when installing plumbing around the boiler cabinetry.
3. Install fittings that will allow the system to be flushed if needed during annual check-ups.
4. Add an inhibitor to the system water to prevent limestone and magnetite deposits from forming, and to protect the boiler from galvanic corrosion (Recommend inhibitor CHP, “Central Heating Protector” from Fernox).

The Trinity boiler comes in two versions, heating and Combi.

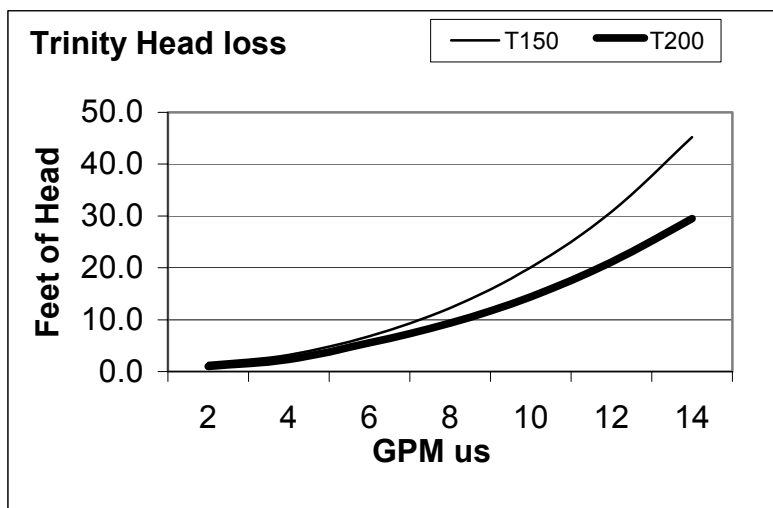
Heating Version – The standard heating version is designed to operate in a hydronic heating system and can operate with an indirect water heater.

Combi Version – This special version is equipped with internal components to provide hydronic heating and domestic hot water heating. See Sections 6.1 and 6.3.

6.1 PRIMARY LOOP PLUMBING

Circulating Pump Due to the Trinity design, the boiler is more restrictive than a conventional boiler, thus greater consideration must be given to the capabilities of the primary loop-circulating pump.

The following is a listing of the recommended circulators.



Model	Restriction Head Loss	Minimum Flow (us GPM)	Max. Temp. Rise	Minimum Primary Pump Size		
				B&G	Grundfos	Taco
T150	7' at 6 GPM	6	45°F	NRF-33	UP 26-64	0010
T200	10' at 8 GPM	8	45°F	PL-36	UP 26-99	0011

Relief Valve (30PSI) Is provided with the system, and it is to be mounted as shown in the diagram. Ensure that the discharge of the pressure relief is piped to a location where steam or water won't cause personal injury or appliance and property damage.

Boiler Venting Hot water boilers are designed to operate with airless water in the system. The Trinity boiler is provided with a 1/8" Air vent located on the top of the unit. This Air vent is intended to vent the boiler on initial startup. This device will **NOT** continuously vent air collecting in the primary loop, and it is not intended to be the primary venting device. The Air Scoop as shown in the diagram is the primary venting location. It is recommended that an additional Air Scoop be used in the secondary plumbing. If air continues to be a problem an air scrubber must be used (recommend Spriovent # VJR 100TM or VJR 125TM).

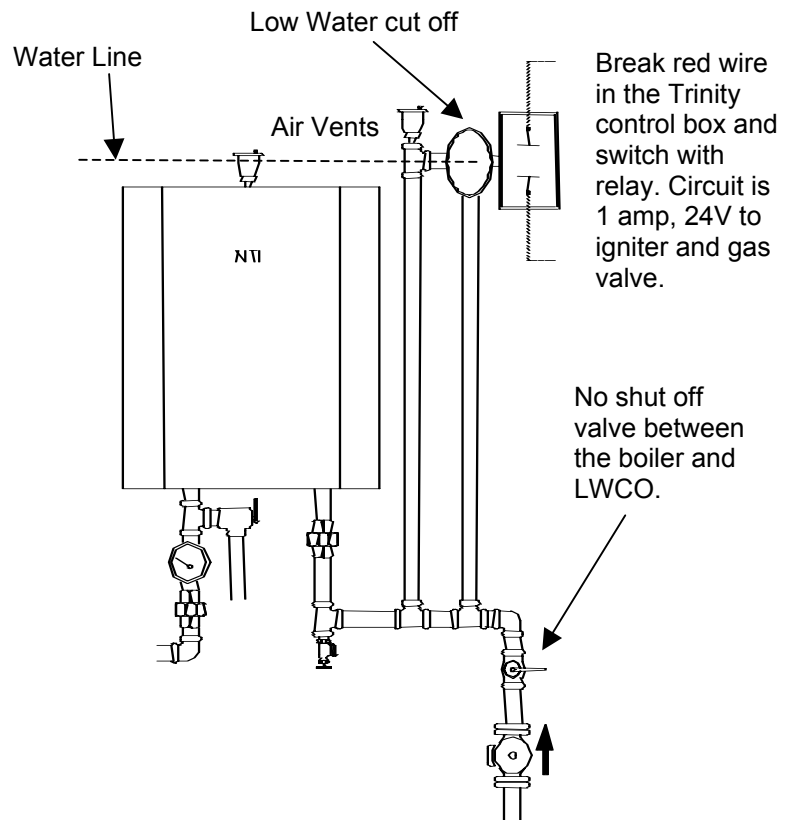
Low Water Cutoff A certified low water cutoff is not provided in the package, however it is to be field installed in any application where the boiler is located above **ALL** the radiation.

Plumbing

- Ensure that the water line of the "Low Water Cutoff" is at least 6" above the top of the boiler.
- It is recommended that the LWCO be situated so that it can be tested without removing water from the boiler. Tri-cocks and a gauge glass are highly recommended.
- It is recommended that no gate valves be installed between the LWCO and the boiler.
- Use an air vent if installed as per our diagram to be used as a vacuum breaker and to eliminate air upon filling.

Electrical

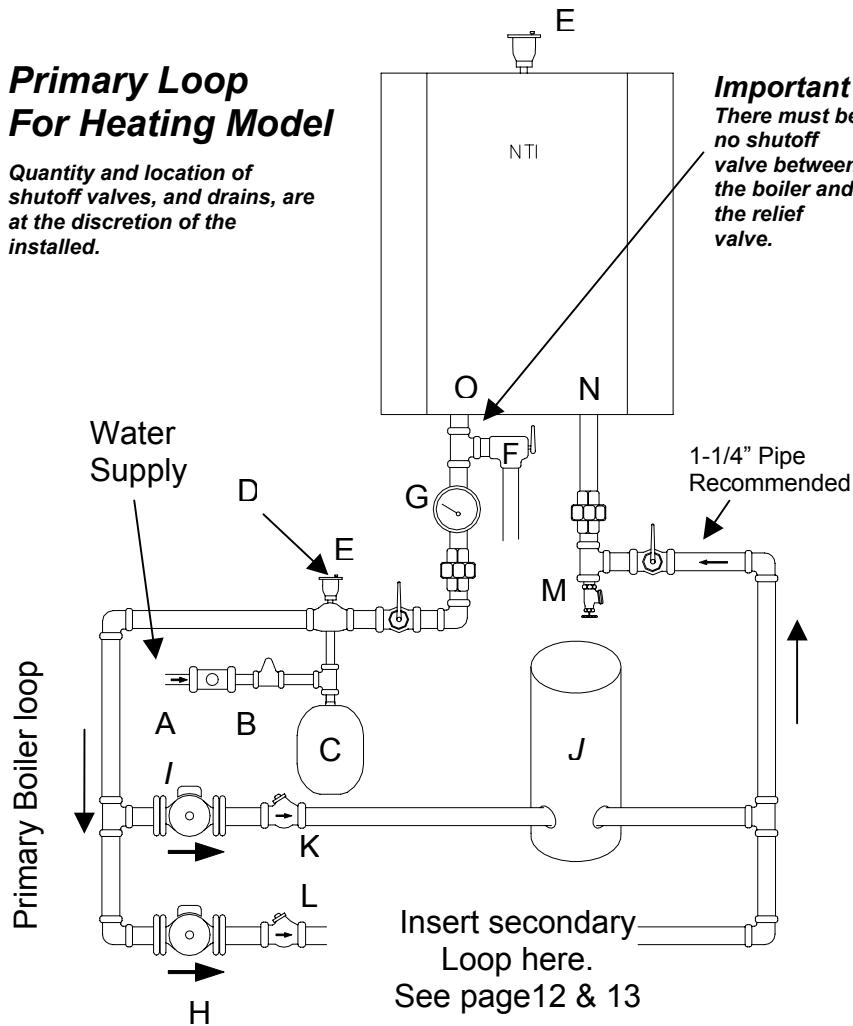
- Break the red wire looped in the Trinity control box, and wire the normally open contacts of the LWCO in series with the two red wires. Circuit is 24 volts, 1 amp.



The Trinity boiler is to be used only in a Primary / Secondary pumping system. This is to avoid cycling problems in systems that have poor flow, or heating zones with very small capacities. The primary loop system must be used in all cases, regardless of the configuration of the secondary system design.

Primary Loop For Heating Model

Quantity and location of shutoff valves, and drains, are at the discretion of the installer.



Important
There must be no shutoff valve between the boiler and the relief valve.

Heating Model With option Indirect Water heater

Legend

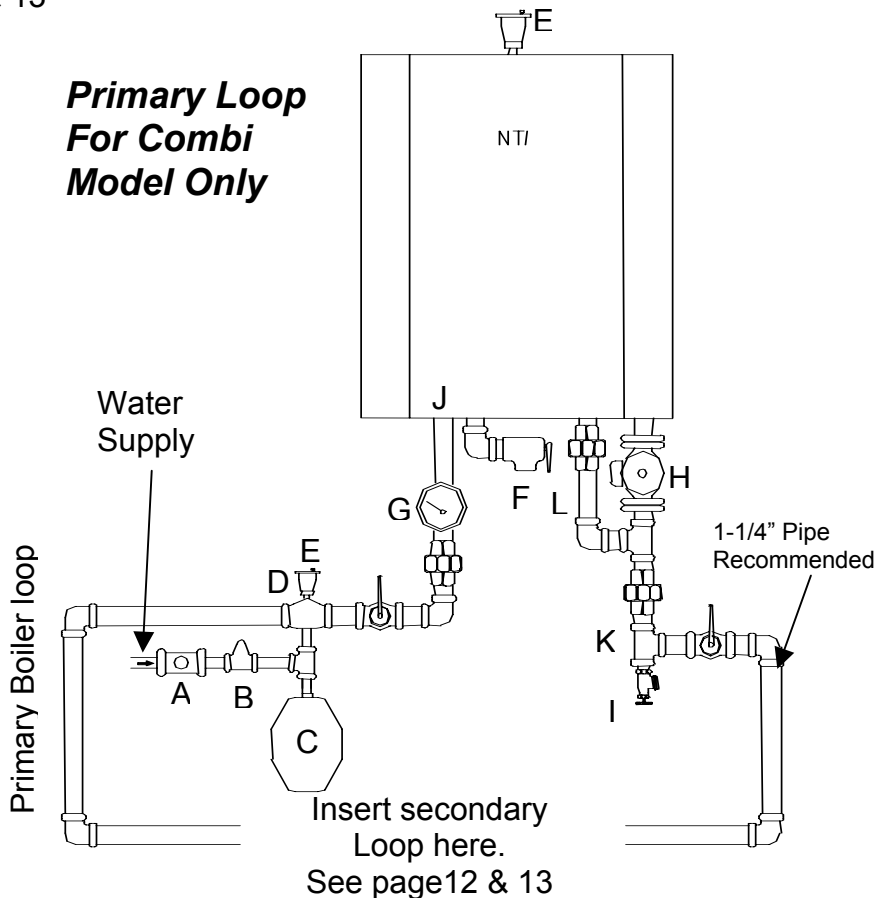
- A- Back flow preventor
- B- Fill valve (set at 12 psi)
- C- Diaphragm expansion tank
- D- Cast Iron Air scoop, for excessive air conditions use Spirovent.
- E- Automatic air vent
- F- Relief valve (set at 30 psi)
- G- Pressure gauge
- H- Heating pump (see size recommendation on page 10) Wired to terminals C₁ - L₂
- I- *Optional Indirect pump* (see recommendation on page 10) Wired to terminals A_p - L₂
- J- *Optional Indirect Water heater*
- K- Check Valve
- L- Check or flow valve, (use a flow valve if zone valves are not used in distribution system, to prevent gravity feeding).
- M- Boiler Drain
- N- Boiler inlet connection (warm)
- O- Boiler outlet connection (hot)

Combi Model

Legend

- A- Back flow preventor
- B- Fill valve (set at 12 psi)
- C- Diaphragm expansion tank
- D- Cast Iron Air scoop, for excessive air conditions use Spirovent.
- E- Automatic air vent
- F- Relief valve (set at 30 psi)
- G- Pressure gauge
- H- Heating pump (see size recommendation on page 10) Wired to terminals C₁ - L₂
- I- Boiler Drain
- J- Boiler outlet connection (hot)
- K- Boiler inlet connection (warm)
- L- External Combi Manifold #82470

Primary Loop For Combi Model Only



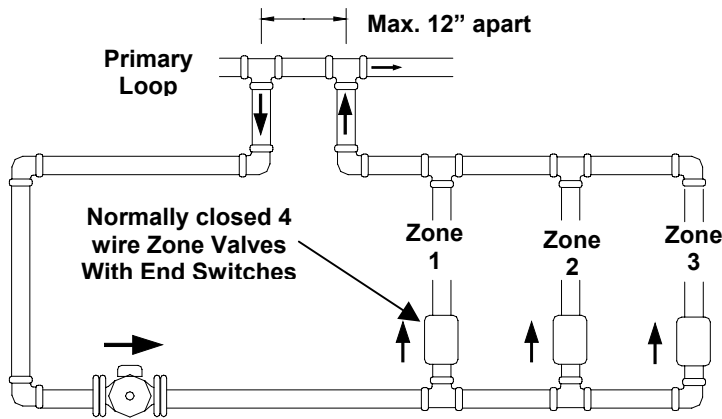
Flow: The Trinity boiler must have water flow going through the boiler whenever the burner is on.

CAUTION: DAMAGE WILL OCCUR IF THE BOILER IS FIRED WITH NO WATER IN IT, OR REPETITIVE NO FLOW OPERATIONS, WHICH WILL VOID THE WARRANTY.

6.2 SECONDARY LOOP HEATING SYSTEM

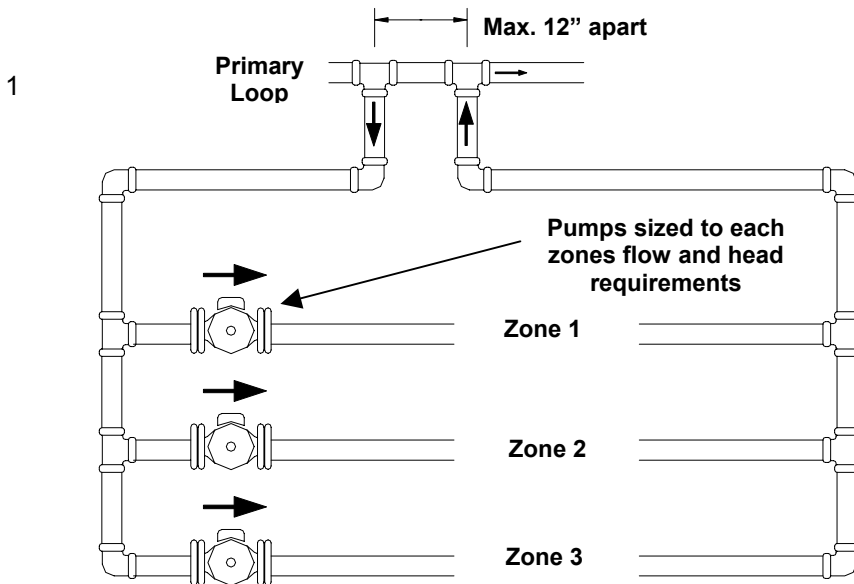
The following are typical piping systems. It is the responsibility of the installing contractor to determine which system best meets the need of the installation. Contractor modifications to these instructions may be required, based upon existing piping and system design.

6.2.1 Multiple Zones using Zone Valves



See figure
7.2.1 "Multiple 4 wire Zone Valves" for wiring
7.2.2 "Multiple Zones with Taco Valve controller"

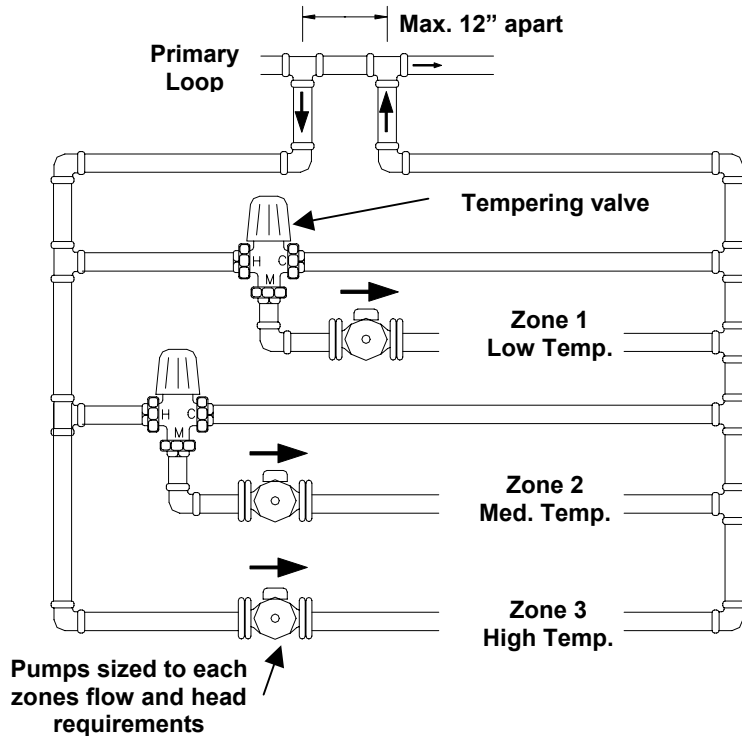
6.2.2 Multiple Zones using Pumps



See figure
7.2.3 "Multiple Zones using pumps and pump controller"
Installer may require throttling and check valves to correctly regulate the system

6.2.3 Multiple Zones with different temperatures

Using pumps and tempering valves



See figure

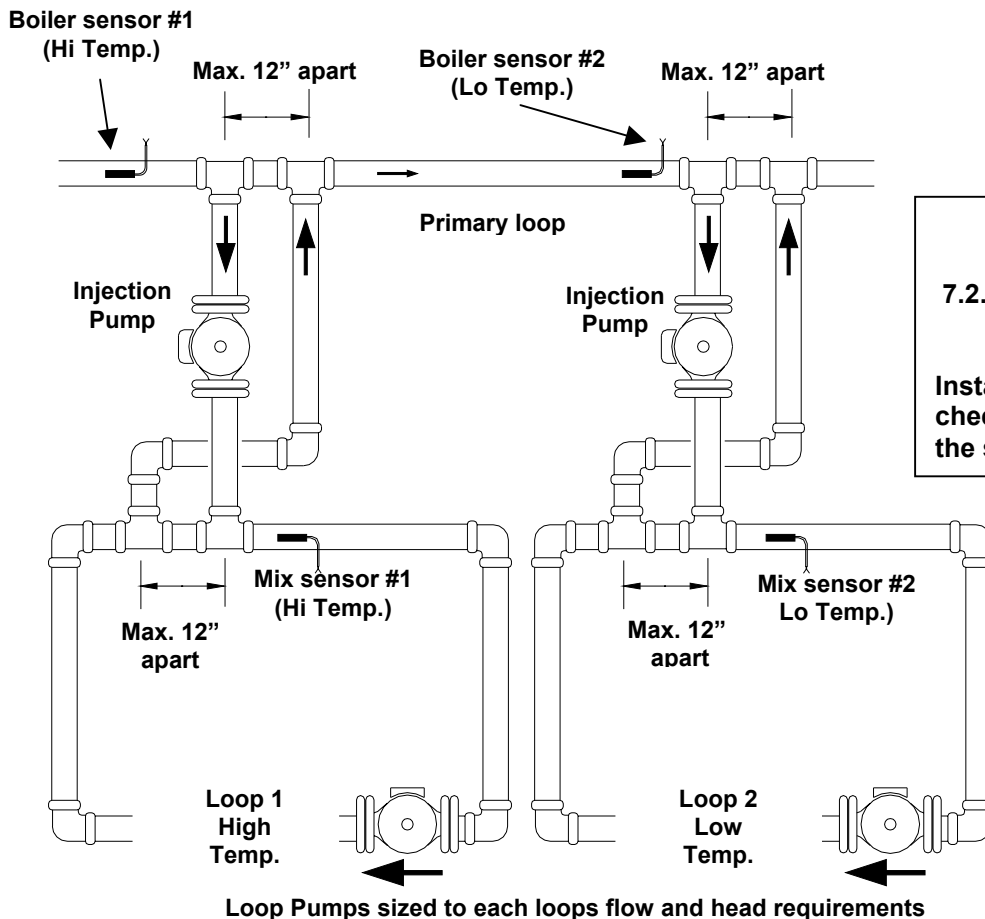
7.2.3 "Multiple Zones using pumps, and pump controller"

By setting the tempering valves to different settings, multiple temperatures can be obtained.

Installer may require throttling and check valves to correctly regulate the system.

Other configurations may work, but under no circumstances can a mixing valve be placed in the primary loop as overheating of the boiler could occur.

Using Injection pumps



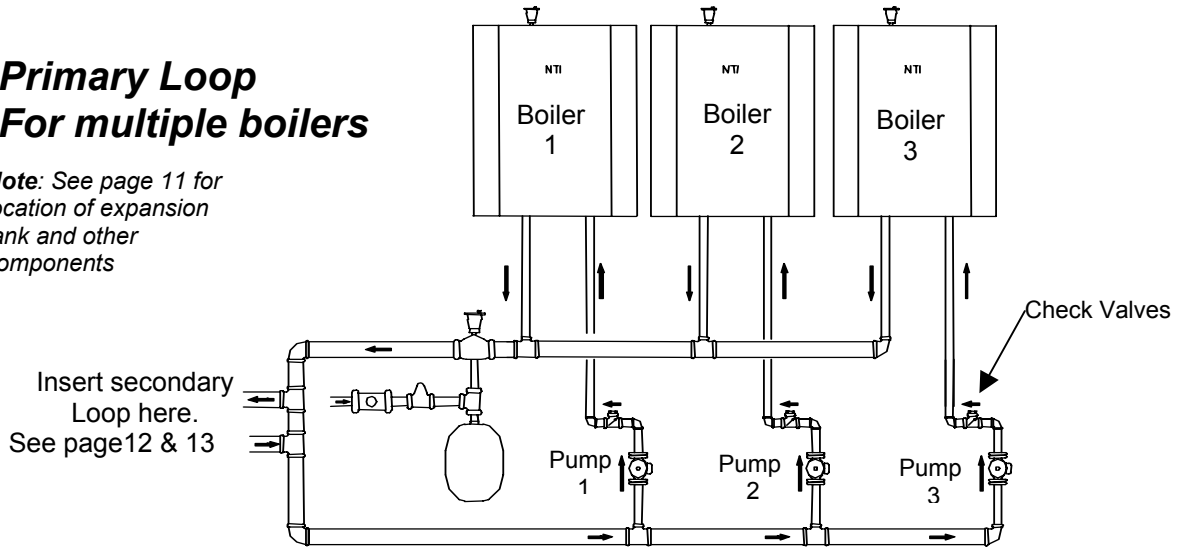
See figure

7.2.4 "Multiple temperature Zones using injection pump"

Installer may require throttling and check valves to correctly regulate the system

Primary Loop For multiple boilers

Note: See page 11 for location of expansion tank and other components



6.3 DOMESTIC COMBI SYSTEM (((OPTIONAL)))

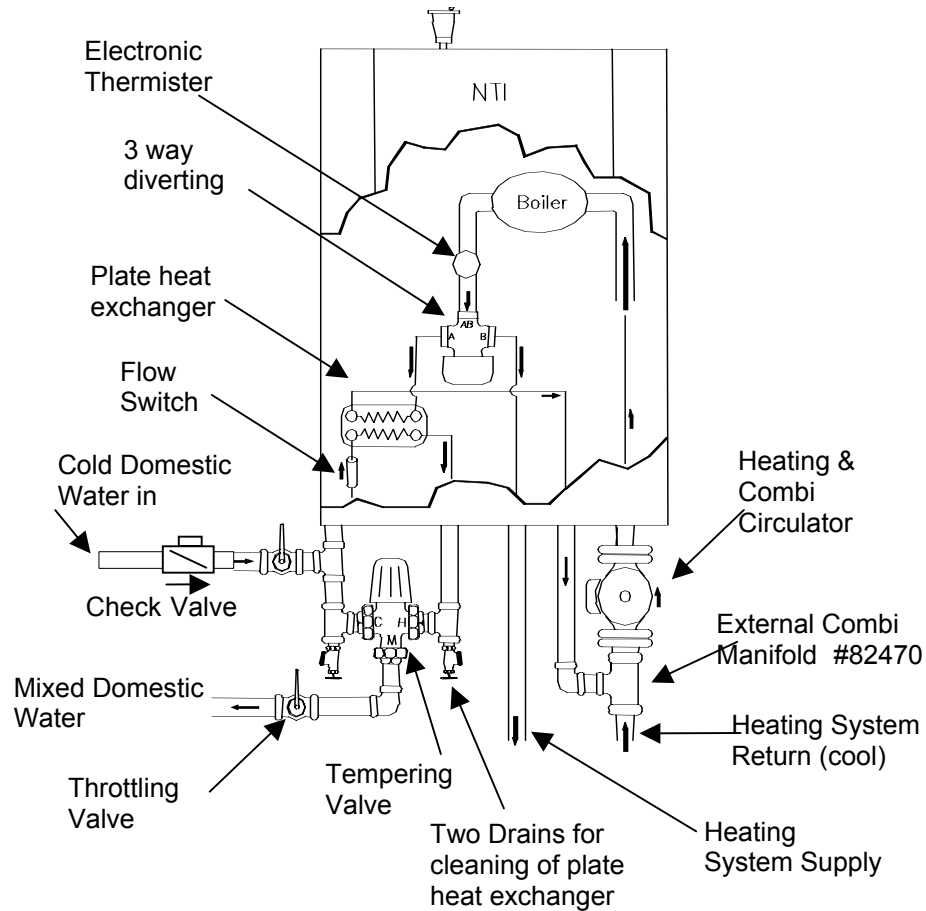
The Trinity Combi is designed for installations where space is restricted. For applications where space is not restricted, the use of an “**Indirect Water Heater**” is highly recommended.

The Trinity Combi incorporates all the features of the Standard Heating version, plus External Combi Manifold, diverting valve, plate heat exchanger & flow switch. *Note: The installer is required to install the 3/4” pump flange (included in Combi kit) onto the boiler return pipe prior to installing the boiler; the bolts must be inserted into the flange prior to installing the flange.*

COMBI Sequence of operation

When water flow greater than .5 GPM passes through the flow switch, it closes a contact to terminals A-C on the Sentry 2100 controller. The boiler is immediately energized (if not already on), the 3-way diverting valve moves to the domestic hot water position “A”, and the circulator is energized. Hot water is circulated through the plate heat exchanger. The flame is modulated to maintain the “LO” setting on the Sentry control. The Sentry uses the boiler thermister to read the temperature of the boiler water. Space heating is not provided during a call for domestic.


To improve domestic hot water performance Sentry versions T1.5 and newer, installed on Combi boilers, go into a “Storage Mode” when demands for both space and domestic heat are finished. The control will enter “Storage Mode” if the burner is on at the end of a demand. Once in “Storage Mode” the burner goes to low fire, the 3-way diverting valve is energized (position “A”), and the



circulator is powered until a boiler temperature of 185°F is reached, at which point the control reverts to “Standby Mode”. The “Storage Mode” will be interrupted by either a call for space or domestic heat.

DHW Check Valve A check valve on the cold water supply to the domestic hot water (DHW) system is recommended. In some applications surges in water pressure due to a “Water Hammer” device can cause the flow switch in the boiler to active, giving a false call for domestic hot water. A check valve installed as per the diagram will eliminate this occurrence.

Anti-Scald Valve A Sparcomix AM101-US-1 is provided with your package. This valve regulates the water temperature leaving the plate heat exchanger, and must be used in every instance. The dial can be set to the desired temperature required. Consult the Honeywell manual *SD/IS150* for detailed instructions and settings. **(Note: the valve must be set to a supply temperature of not more than 120°F. It is the responsibility of the installer to set the valve and remove the dial.)**



Warning

If the Anti-Scald Valve is not installed to the Honeywell Sheet SD/IS150, and this manual, operation may supply SCALDING hot water to the

Hard Water Hard water conditions will cause the components of this appliance to form scale and impede the normal operation of the unit. Water with hardness higher than 50 ppm Calcium carbonate must incorporate a “Water Softener” prior to entering the appliance. Plugging of domestic system by scaling or accumulation of dirt is not the responsibility of NY Thermal Inc., and suitable steps shall be taken to avoid it.

Cleaning Secespol brazed plate heat exchangers operate with high turbulence flow, even at low flow rates. This high turbulence keeps small particles in suspension minimizing fouling and scaling. However, in some applications the fouling tendency can be very high, e.g. when using extremely hard water at high temperatures. In such cases it is always possible to clean the exchanger by circulating a cleaning liquid. Use a tank with weak acid, 5% phosphoric acid or, if the exchanger is frequently cleaned, 5% oxalic acid. Pump the cleaning liquid through the exchanger. For optimum cleaning, the cleaning solution flow rate should be a minimum of 1.5 times the normal flow rate, preferably in a back-flush mode. After use, do not forget to rinse the heat exchanger carefully with clean water. A solution of 1-2% sodium hydroxide (NaOH) or sodium bicarbonate (NaHCO₃) before the last rinse ensures that all acid is neutralized. Clean at regular intervals.

Combi Limitations As the Trinity produces domestic hot water instantaneously, there are inherent limitations that this system has.

1) **NO STORAGE** - As there is no water storage, the boiler can only provide water at the temperature specified at the corresponding flow rates. Flow through the fixtures must be regulated so flows don't exceed the ability of the boiler to heat the water. **MORE FLOW = LESS**

TEMPERATURE

2) **DOESN'T MAINTAIN TEMPERATURE** – When there is no call for domestic the unit is off. From a dead stop the unit will detect flow and start providing heat in 15 seconds, and be up to capacity by 25 seconds. Once running, the unit can provide an endless amount of hot water. If the flow is momentarily turned off for whatever reason, the unit will turn off. Once off, the unit must relight, and not provide heat for 15-25 seconds. This will cause cold unheated water to pass through the unit, and advance through the domestic plumbing between the previously heated (hot) water, and the new (hot) water. **This can be mistaken for an inability to adequately heat the water.**

Procedure for Setting up Domestic Hot Water If the combi boiler is being installed in an application that uses municipal water, often the pressure is high enough to generate flow rates at the faucets that will exceed the boilers capacity to heat it. See the following tables to determine what flow can be expected at various inlet and outlet water temperatures.

Table 1: T150C Flow rates (flow rates in usgpm)

		Inlet Water Temperature (deg. F)						
		40	45	50	55	60	65	70
Outlet Water (F)	110	3.9	4.2	4.5	4.9	5.4	6.0	6.7
	115	3.6	3.9	4.2	4.5	4.9	5.4	6.0
	120	3.4	3.6	3.9	4.2	4.5	4.9	5.4
	125	3.2	3.4	3.6	3.9	4.2	4.5	4.9
	130	3.0	3.2	3.4	3.6	3.9	4.2	4.5
	135	2.8	3.0	3.2	3.4	3.6	3.9	4.2
	140	2.7	2.8	3.0	3.2	3.4	3.6	3.9

Table 2: T200C Flow rates (flow rates in usgpm)

		Inlet Water Temperature (deg. F)						
		40	45	50	55	60	65	70
Outlet Water (F)	110	5.1	5.5	6.0	6.5	7.2	8.0	9.0
	115	4.8	5.1	5.5	6.0	6.5	7.2	8.0
	120	4.5	4.8	5.1	5.5	6.0	6.5	7.2
	125	4.2	4.5	4.8	5.1	5.5	6.0	6.5
	130	4.0	4.2	4.5	4.8	5.1	5.5	6.0
	135	3.8	4.0	4.2	4.5	4.8	5.1	5.5
	140	3.6	3.8	4.0	4.2	4.5	4.8	5.1

To avoid having too much flow at your faucets use the shut off valve after the mixing valve to limit the overall flow of domestic hot water. Follow these instructions to achieve the best results with your combi boiler:

1. Open shut off valve fully.
2. Turn the dial on the mixing valve to the desired setting (**being careful not to exceed 120°F or a dial setting greater than 2**) and adjust LO setting accordingly.
3. Create the maximum amount of DHW flow that is likely to occur on a regular basis. (Usually tub faucet, or choose two other faucets)
4. Allow the boiler to reach steady state, and then throttle the shut-off valve until the hot water exiting the plate heat exchanger is warmer than the mixed water exiting the mixing valve. Ensure the boiler is firing at the maximum rate, if not increase the LO setting and repeat this step. (It is beneficial to keep the LO setting as low as possible to limit short cycling and maintain efficiency)

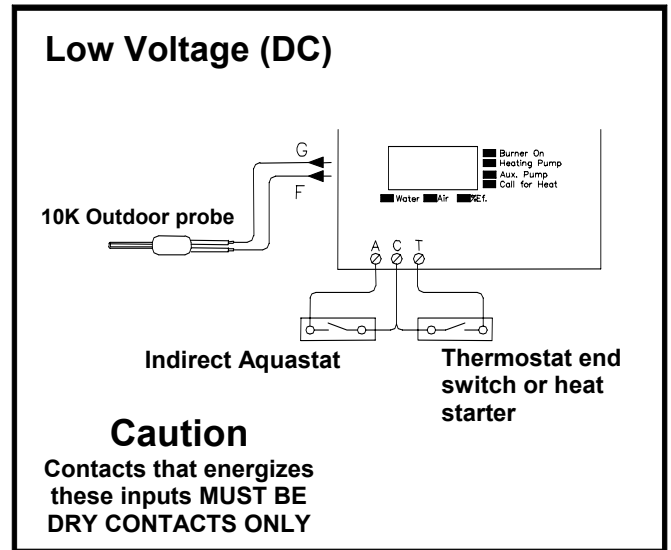
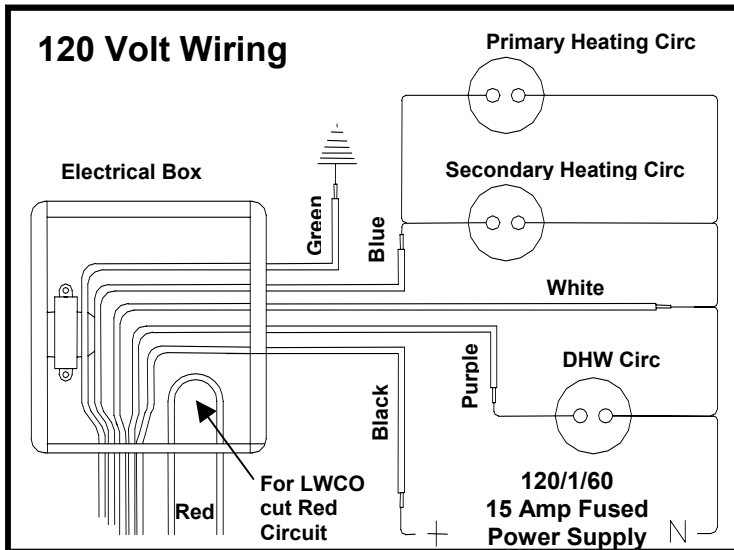
7.0 WIRING

All wiring must be in accordance with the Canadian Electrical code, CSA C22.2, and any applicable local codes. Ensure that the wiring is in accordance with this manual.

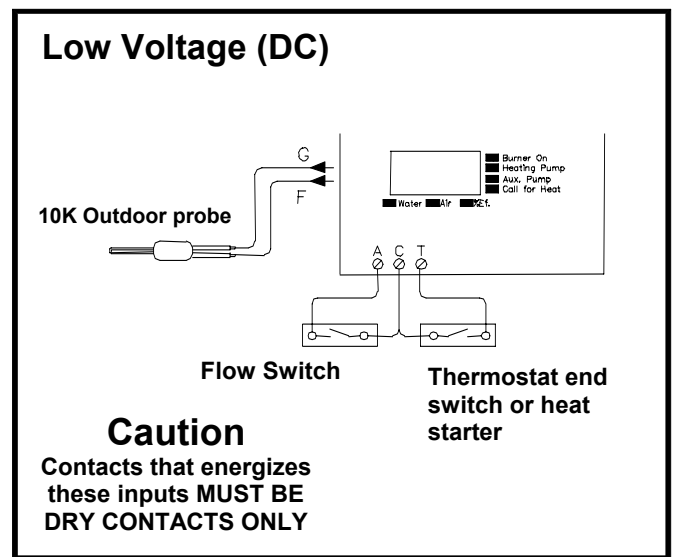
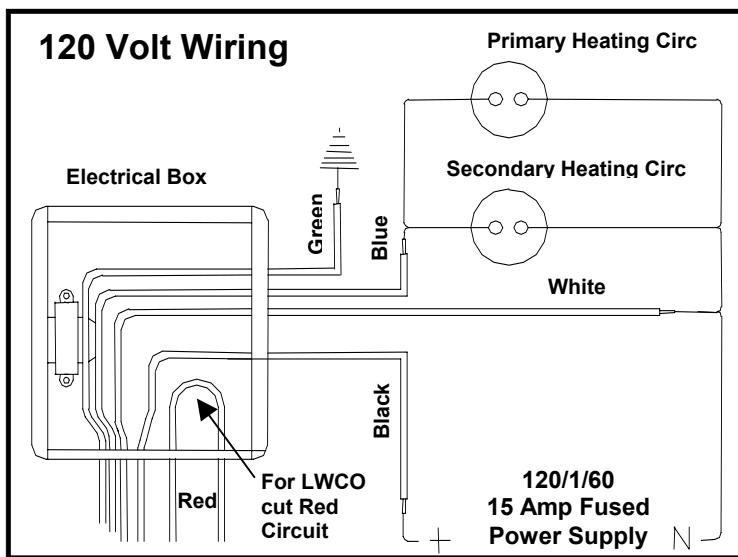
Contact capacity of outputs C₁ or A_p is 3 running Amps with a maximum inrush of 6 Amps. If the capacity of the pumps is in excess of these maximums, you must either use a pump controller, or isolation relay to energize the pumps.

7.1 Simplified Wiring Connections

Heat and Indirect Wiring



Combi Wiring

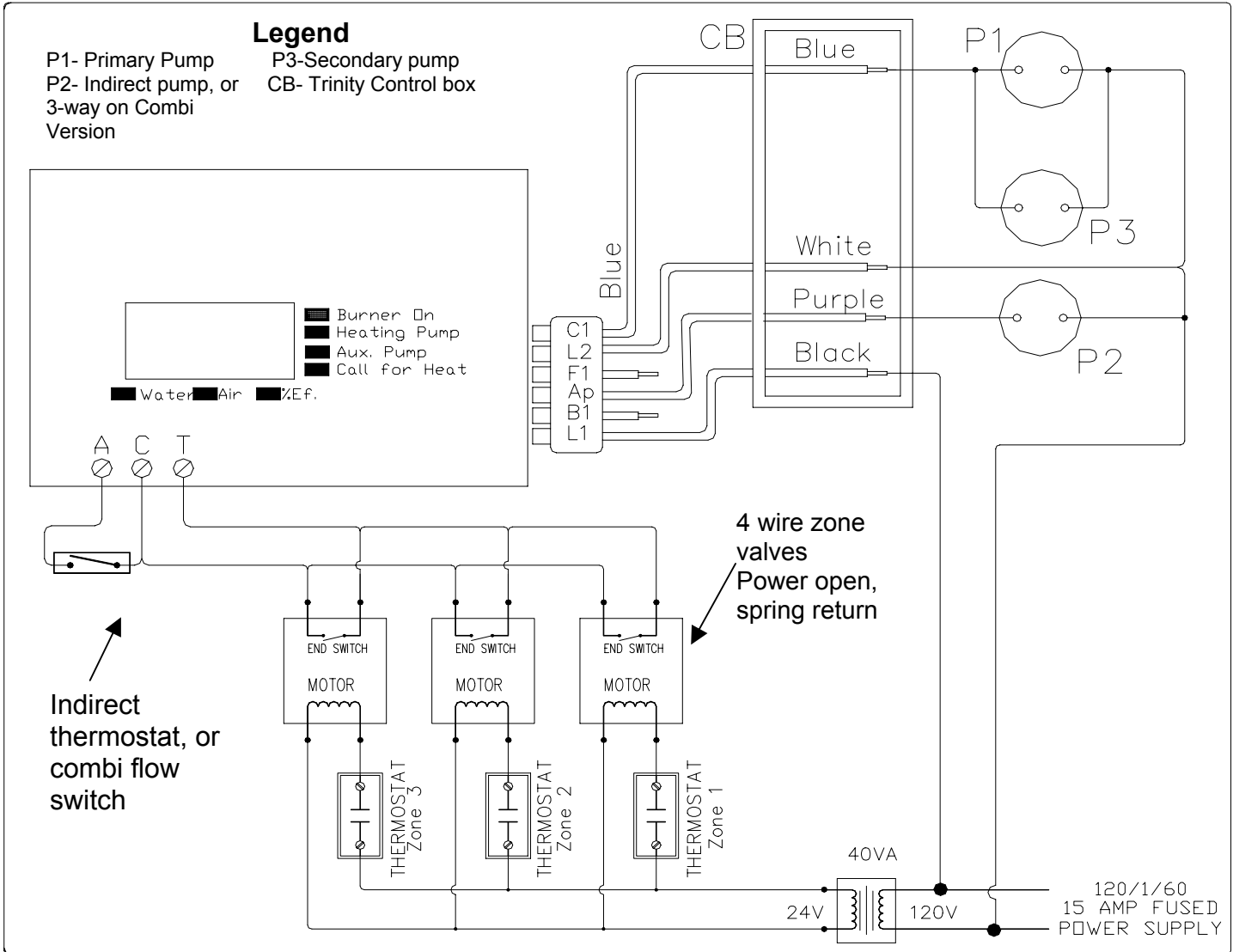


The boiler must be electrically grounded in accordance with the National Electrical Code ANSI/NFPA 70, or local codes, and/or the Canadian Electrical Code CSA C22.1.

Warning!!! A bad installation could ruin the Sentry Board and void your warranty.

- Before providing 120 Volts to the boiler, do a continuity check between all wires and ground to make sure that there are no electrical leaks that could damage the board.
- Do not use magnetic tip screwdriver near the Sentry board.
- Verify that the wires connected to the Sentry **TC and AC terminals are not grounded**, or have any voltage applied to them, or voltage to ground (dry contact closure only).
- Ensure that the probe wire is not damaged.
- Caution: Label all wires prior to disconnecting them when servicing controls. Wiring errors can cause improper and dangerous operation

7.2 Advanced Wiring Systems



7.2.1 Multiple 4 wire Zone Valves

The basic multiple zoned system uses normally closed four (4) wire zone valves. This wiring system is used with the piping as described in Section 6.2.1 “Multiple Zones using Zone Valves”.

Operation

Room thermostat closes circuit to zone valve motor, thus opening the valve. When the valve is opened, the end switch closes the circuit between terminals T-C on the Sentry control. The Sentry 2100 provides power to the primary pump and secondary pump via (C₁), once these pumps are on, it turns on the burner.

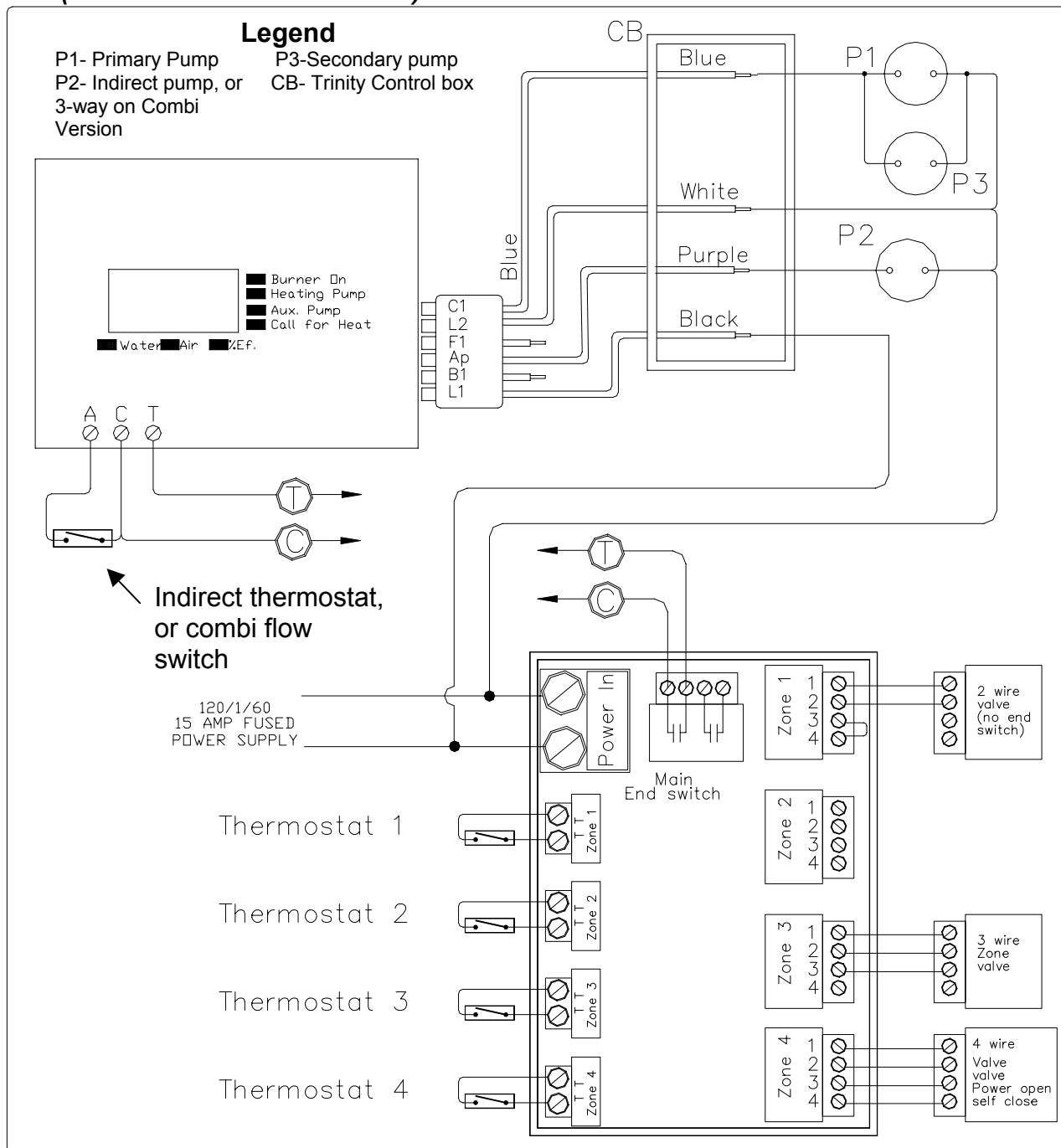
Once the room thermostat is satisfied, it breaks power to the motor, which opens the end switch, and the T-C circuit. The Pumps and burner turn off.



Warning

Maximum current of blue wire (C₁) is 6 amps, with all pumps running. Current in excess of 6 Amps, will damage the board, and void the warranty.

7.2.2 Multiple Zones with Taco Valve controller (Models ZVC403 to ZVC 406)



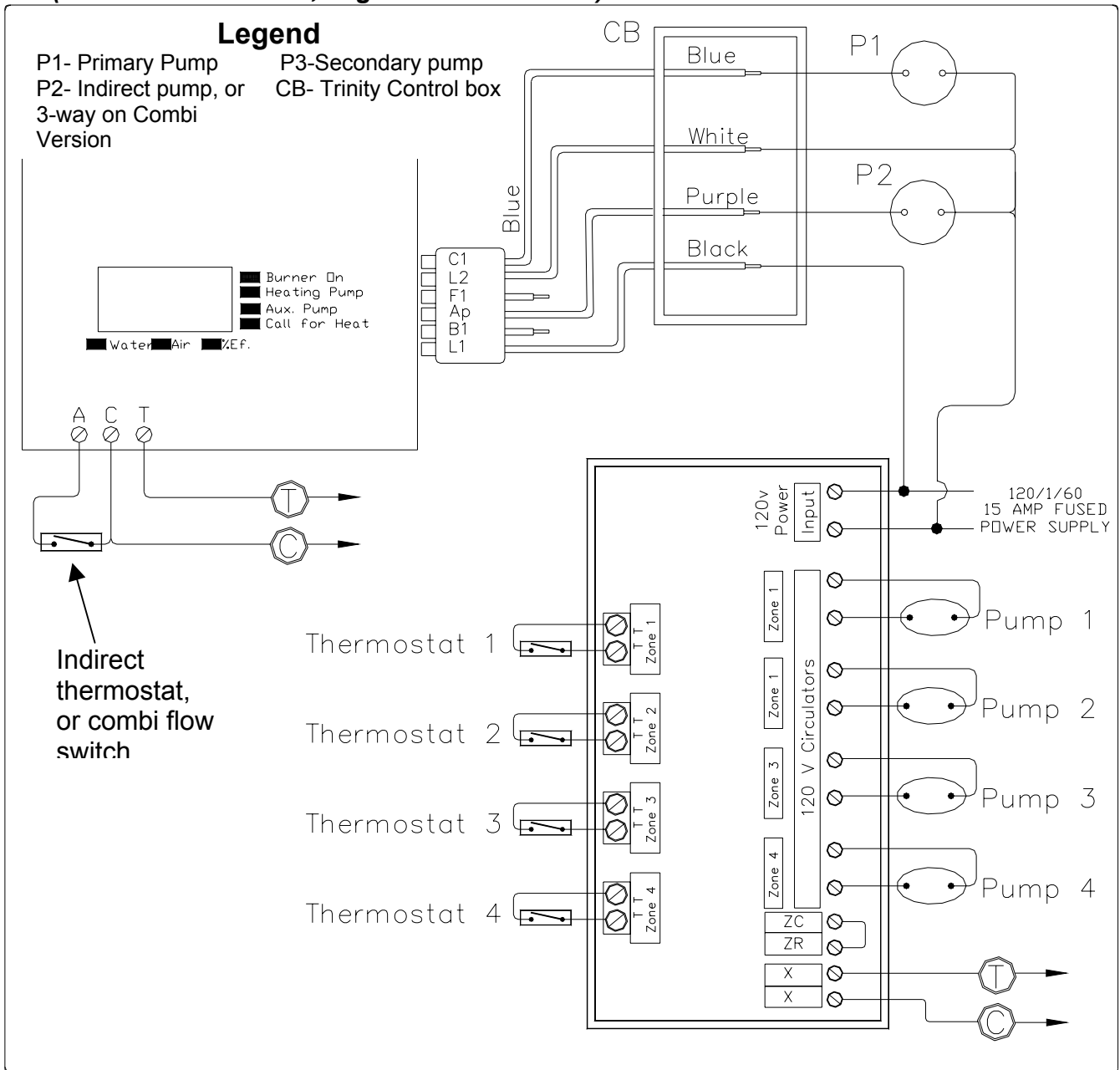
The basic multiple zoned system using normally closed 2 – 3- or 4 wire Taco zone valves. This wiring system is used with the piping as described in Section 6.2.1 “Multiple Zones using Zone Valves”.

Operation

Room thermostat closes circuit to TT terminals Taco ZVC403 to ZVC 406 zone controller. The controller energizes the appropriate zone valve and closes the circuit between terminals T-C on the Sentry control. The Sentry 2100 provides power to the primary pump and secondary pump via (C1), once these pumps are on it turns on the burner.

Once the room thermostat is satisfied, it breaks power to the motor, which opens the end switch, and the T-C circuit. The Pumps and burner turn off.

7.2.3 Multiple Zones Pump controller (Models Taco SR504, Argo ARM 861 Series)



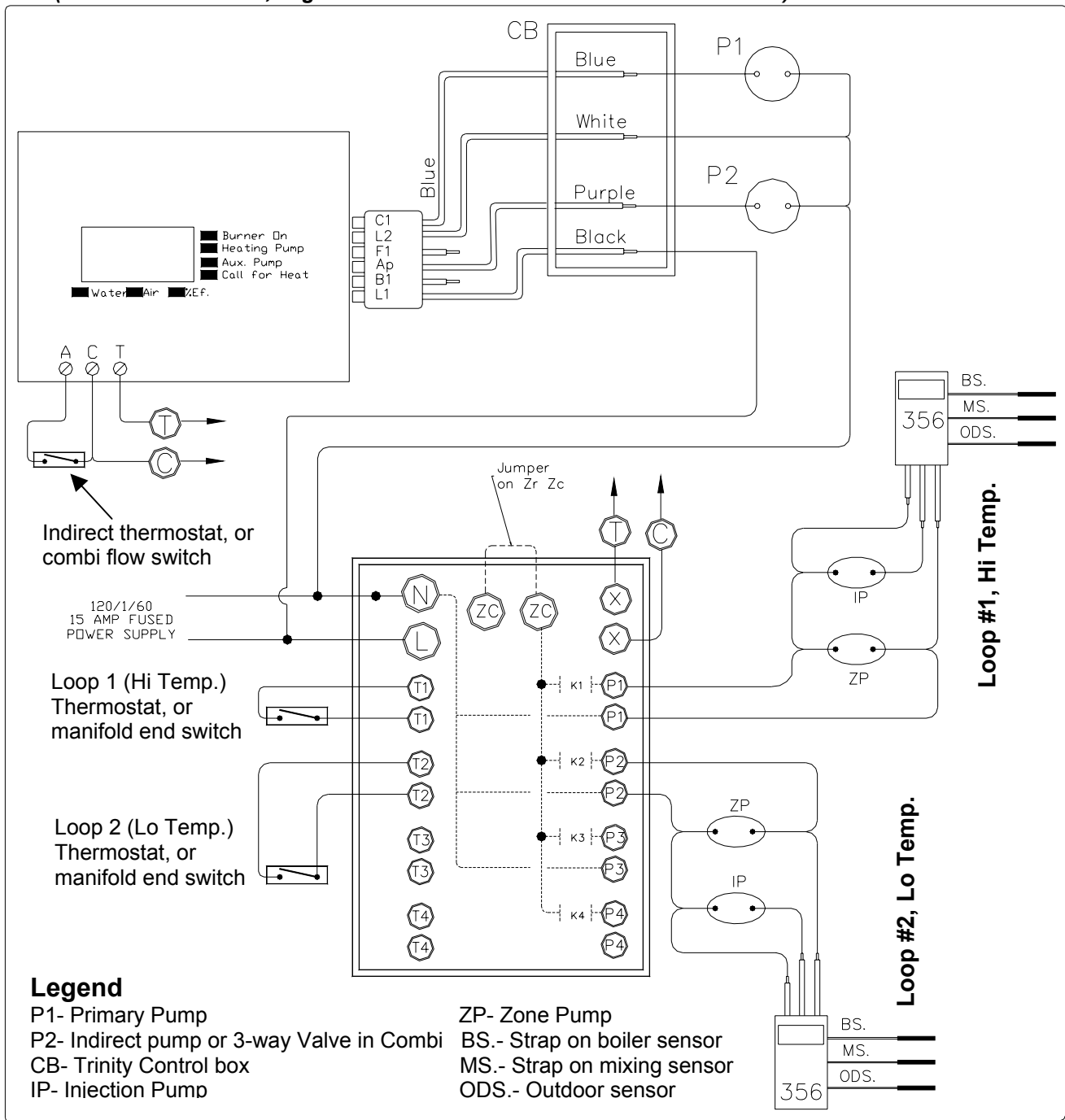
The basic multiple zoned system using circulating pumps. This wiring system is used with the piping as described in 6.2.2 Multiple Zones using Pumps and 6.2.3 Multiple Zones with different temperatures.

Operation

Room thermostat closes circuit to TT terminals of the pump controller. The controller energizes the appropriate circulating pump and closes the circuit between terminals T-C on the Sentry control. The Sentry 2100, provides power to the primary pump (C₁), once the pump is on, it turns on the burner.

Once the room thermostat is satisfied, it breaks power to the TT terminal of the pump controller, which opens the X –X contacts, which opens the T-C circuit. The Pumps and burner turn off.

7.2.4 Multiple Temperature Zones with Injection Pumps (Models Taco SR504, Argo ARM 861 Series And Tekmar 356 controller)



This wiring system is used with the piping as described in 6.2.3 Multiple Zones with different temperatures ((Using Injection pumps))

Operation

Room thermostat or the end switch of a zoned manifold closes the circuit to TT terminals of the pump controller. The pump controller then:

1. Sends 120 volts to the zone pumps (which circulates mixed water throughout the loop).
2. Sends 120 volts to the injection pump, through the 356 Tekmar controller.
3. Closes the circuit between terminals T-C on the Sentry control. The Sentry 2100 provides power to the primary pump via (C₁), once the pump is on, it turns on the burner.

The 356 controller reduces or increases the speed of the injection pump, depending on the temperature at the “Mix sensor”.

Once the room thermostat is satisfied, it breaks power to the TT terminal of the pump controller, which opens the X –X contacts, which opens the T-C circuit. The Pumps and burner turn off.

In an injection system, it is important to understand the effect of flow and temperature set points. It is recommended that the Sentry controllers set point is at least 20°F higher than the desired Mix temperature of the Hottest Loop.

Consult the Tekmar installation manual for detail installation and operation of this control.

8.0 SENTRY 2100T CONTROLLER

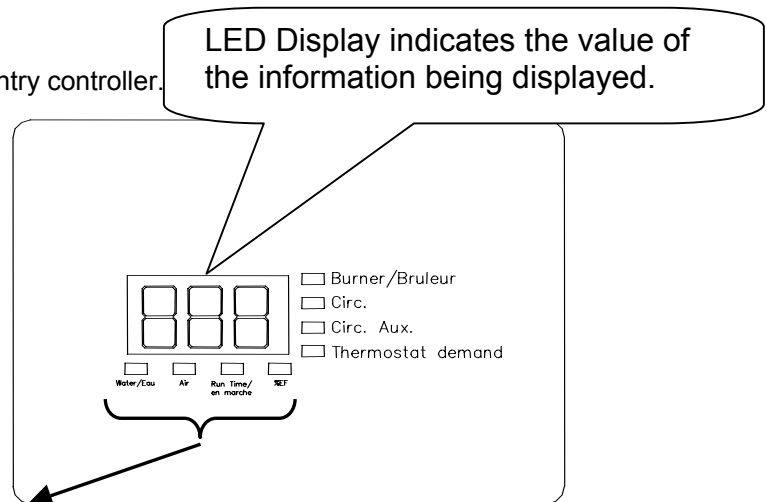
The Sentry controller is the central controller for the Trinity boiler. The Sentry handles all the combustion logic, together with the energy management functions. The Sentry 2100T operates in two different modes, reset or conventional. The mode is automatically determined by the presence of the outdoor sensor. When the Sentry 2100 detects the presence of the outdoor sensor the controller will operate in Reset Mode. If the outdoor sensor is not installed, the controller will operate in Conventional Mode. If outdoor sensor is connected after start-up must power boiler off and on.

Sentry Display

The following describes the meaning of the lights on the Sentry controller.

Green Lights

- Burner/Bruleur** = Indicates that the ignition system is activated
- Circ.** = Indicates that the heating pump is energized
- Circ. Aux.** = Indicates a call for DHW, and Indirect pump or 3-way valve is activated.
- Thermostat Demand** = Indicates that terminals T-C are closed, initiating a call for heat.

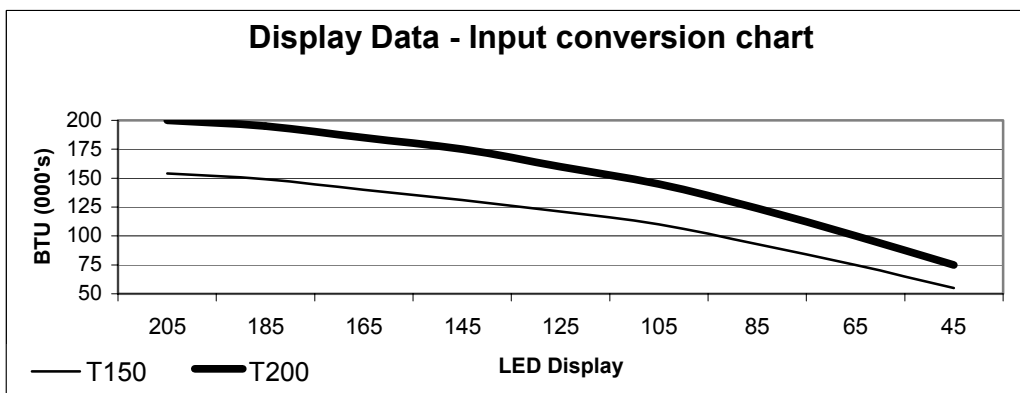


Water/Eau = When illuminated, indicates that the display is showing boiler water temperature.

Air = If the air sensor is being used. When illuminated, indicates that the display is showing outdoor air temperature.

Gas Input Value = When illuminated, indicates that the display is showing the current input level (45-205). See Chart to determine input.

DHW Temp. = When illuminated, indicates that there is a call for domestic hot water.



Indirect Water Heaters
 The Sentry 2100 comes with an input and output for a 120-volt indirect pump. When the A-C terminals are closed (dry contact) the boiler will go immediately to indirect domestic mode, whereby the indirect pump is activated, and the boiler will modulate to the LO setpoint.

Setting Sentry 2100T Operation

The Trinity boiler employs a pneumatic modulation system. This modulation system increases or decreases the velocity of the blower, to meet the demand for heating. The gas valve, senses this change, in blower pressure, and introduces the required amount of gas, to ensure correct combustion. The term “Set Point” is used to indicate the desired temperature that the Trinity will try and maintain, by increasing or decreasing the input.

Conventional Mode

	T-C & A-C Open	T-C Closed & A-C open	T-C Closed & A-C Close	T-C Open & A-C Closed
Condition	Standby ^{Note 3}	Heating Only	Domestic Only	Domestic Only
Set Point	-	HI	L0	L0
Burner On	-	HI – DIF	LO-10	LO-10
Burner Off	-	HI + 10	200°F	200°F
Heat Circ.	Off	On	Off ^{Note 1}	Off ^{Note 1}
Aux. Circ.	Off	Off	On ^{Note 2}	On ^{Note 2}

Reset Mode

	T-C & A-C Open	T-C Closed & A-C open	T-C Closed & A-C Close	T-C Open & A-C Closed
Condition	Standby ^{Note 3}	Heating Only	Domestic Only	Domestic Only
Set Point	-	HI _{Calc.}	L0	L0
Burner On	-	HI _{Calc.} – DIF	LO-10	LO-10
Burner Off	-	HI _{Calc.} + 10	200°F	200°F
Heat Circ. (C1)	Off	On	Off ^{Note 1}	Off ^{Note 1}
Aux. Circ. (Ap)	Off	Off	On ^{Note 2}	On ^{Note 2}

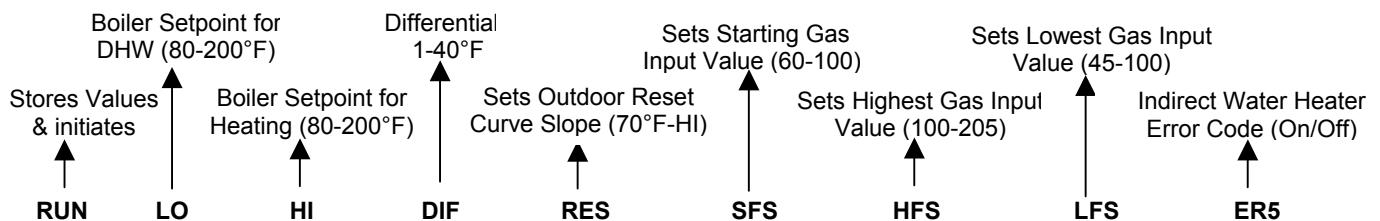
Note:

- 1- For Combi units the Heating Circ. (C1) is powered for both heating and domestic hot water.
- 2- For Combi units the Aux Circ. (Ap) powers the 3-way diverter valve. (Located in the boiler)
- 3- For Combi units (version 1.5 or higher) the boiler will run in domestic mode immediately following a call for heat or domestic, until a boiler temperature of 185°F is reached.

Setting Sentry 2100 control

Programming is accomplished by a series of three push buttons located on the bottom side of the control. (**Function**, \uparrow and \downarrow). To enter the programming mode, press the function key once. To scroll through the various menu options depress \uparrow until the menu is displayed. To alter the value press **Function** once, and the current value will be displayed, then use \uparrow for up, and \downarrow for down, until the desired value is obtained. To enter the selected value press **Function**, which will return to the menu. When all desired values are selected, scroll to the RUN menu, and press Function, which exits the Programming Mode and initiates normal operation. A safety feature has been added to ensure that if the control is left in the Program Mode, the unit will turn off if left in program mode longer than 30 seconds without receiving an input. Press **Function** once to continue programming or to start boiler operation.

MENU



To start the control operation, you must return to RUN on the menu, and press Function. Normal operation will begin.

Determining Reset Temperature HI_{Calc}

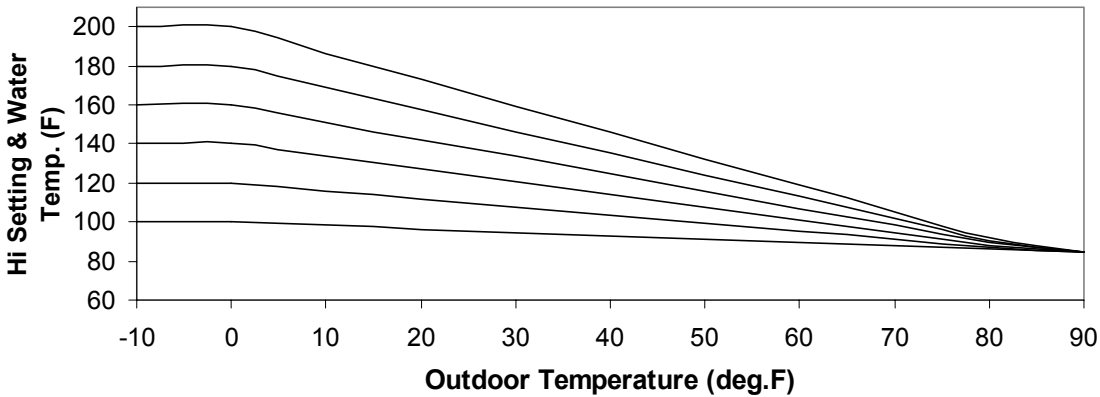
Once the control identifies the presence of a good outside sensor, the control will automatically reduce the HI setting, based upon the outdoor temperature. The calculated HI setpoint (HI_{Calc}) is calculated as follows: **Example: HI=200, RES=70, Air Temperature=32**

RESET RATIO
 = (High Setting - RES)/RES
 = (200 - 70) /70
 = 1.85

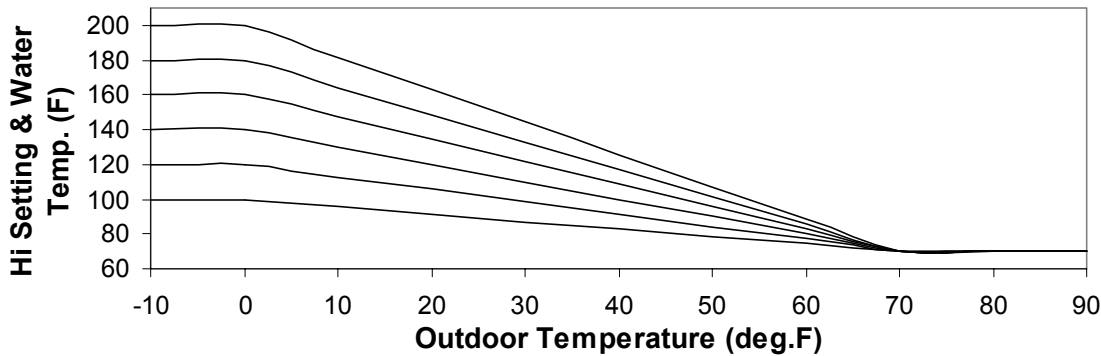
RESET TEMPERATURE HI_{Calc}
 =[(RES-Outdoor Air) x Reset Ratio] + RES
 =[(70-32) x 1.85] + 70
 =[70.6] + 70
 =140.6°F

Note:
THE DESIGN TEMPERATURE IS 0°F OUTSIDE AIR, SO AT 0°F OR LESS, THE HI SETTING IS USED, AND NOT SURPASSED.

Reset Curve for Res=85



Reset Curve for Res=70



These graphs are examples of reset temperatures based upon different set points and outdoor air temperatures. The vertical axis is the water temperature that the boiler will maintain, and is also the Hi setting of the Sentry 2100 control. The Horizontal axis is the outdoor air temperature.

Recommended settings:

*When determining the setting, ask yourself, what is the hottest boiler temperature required on the coldest day=HI SETTING, and what is the temperature I want to generate for my indirect =LO SETTING. **Keep in mind, that the lower the water temperature the boiler operates at, the higher the system efficiency will be.***

System	Hi	Dif	RES
Finned Tube Baseboard	190°F	20°F	85°F
Cast Iron Radiators	150°F	20°F	85°F

The LO setting is only used during a call for DHW (when A-C terminals are closed). Set the LO to the temperature you require for the Indirect Water Heater (**recommend 140°F**) or at least 30°F higher than the indirect Aquastat (recommend 110°F). Refer to “Procedure for Setting up DHW” in Section 6.30 to achieve proper LO setting for Combi boiler (**recommend 160 for T150C and 170 for T200C**). If the A-C terminals are not used, the LO setting is not used.

Outdoor Sensor – Shall be installed to take advantage of the energy saving features of the Sentry Controller. Install the sensor preferably on the north, or coldest side of the building, not within 10 feet of the discharge of the gas vent outlet, or other sources of heat.

9.0 LIGHTING BOILER

9.1 INITIAL START-UP

- Ensure that the boiler is wired in accordance with this manual.
 - Ensure that the gas shut-off valve is turned on, and that the gas system has been fully tested for leaks.
 - Ensure that the system is completely filled with water, and that ALL the air is purged out.
1. Turn on power to the Trinity Boiler. The boiler should run through a purge, and combustion should occur. (The control system has a built in ignition retry, allowing the system to retry at least four times, before locking-out.)
 2. Verify that the gas line pressure is 4-9"wc. for natural gas, and 9-12" wc. for propane.
 3. Using an appropriate Oxygen or Carbon Dioxide analyzer, take a sample of the flue gas. The sample must fall within the acceptable ranges for carbon Dioxide, which is 8% - 9.5% for natural gas, and 9.0%-10.5% for propane. **If the reading does not fall within this range, contact NY Thermal, for assistance.**
 4. Perform at least three lights in succession to ensure proper operation.
 5. After the three successive lights, unplug the flame probe, and allow the unit to cycle again. Ensure that it tries to light, and locks out on safety reset. Once you have successfully activated the flame safety system, replace the wire on the flame sensor, and reconfirm proper lighting.

For Your Safety, Read before operating

- A. This appliance does not have a pilot. It is equipped with an ignition device that automatically lights the burner. Do not try to light the burner by hand.
- B. BEFORE OPERATING, check all around the appliance area for gas. Be sure to check next to the floor, as some gases are heavier than air, and will settle on the floor.
- C. Use only your hand to turn gas knobs, never use a tool. Forcing the valve, or attempting to repair it can cause fire or explosion.
- D. Do not use the appliance if any part is under water.



Warning

If you do not follow these instructions exactly, a fire or explosion may result causing property damage, and loss of life.

9.2 RE-LIGHTING UNIT

1. Stop and read these instructions very carefully.
2. Set the thermostat to the lowest setting, and then turn off all power to the boiler.
3. This appliance does not have a pilot. It is equipped with an ignition device that automatically lights the burner. Do not try to light the burner by hand.
4. Turn the gas shut-off valve to the off position, and then remove the front cover.
5. Wait five (5) minutes to clear out any gas. Then check for gas, including near the floor. If you smell gas "Stop" and follow "B" above. If you don't detect any gas proceed to the next step.
6. Turn the gas shut-off valve to the on position, wait an addition five (5) minutes and check for gas.
7. Replace the front cover.
8. Set the thermostat to the highest setting, and then turn on all power to the boiler.
9. Ignition sequence is automatic, combustion will occur after a brief fan purge. Ignition will retry 3 times.
10. If ignition does not occur, "Turn off the gas and electricity to the boiler" and contact a professional service technician, or gas supplier.

9.3 TURN OFF BOILER

1. Set the thermostat to the lowest setting, and then turn off all power to the boiler.
2. Turn the gas shut-off valve to the off position.

10.0 TROUBLE SHOOTING

This section is intended to assist the service technician in detecting and correcting common errors. The Sentry 2100 is equipped with an internal diagnostic system that verifies control operation. The following series of error codes has been developed to aid in diagnosing control problems:

Problem	Detected Problem	Solution
ER1 On Display	The Safety High Limit of 250° F, has been reached	1- Check to see if water is dripping on the sensor. 2- Reduce the Hi setting (and/or) ensure that there is proper water circulation in the system.
ER2 On Display	Water Probe... The water probe is transmitting an invalid signal. Closed circuit.	Check wiring
ER3 On Display	Water probe...Sentry is sensing an open circuit at water probe. Or, the wiring to the outdoor probe is grounding.	Check wiring. (Note: ER3 will be displayed if temperature sensed is less then 32°F.)
ER4 On Display	Unit has been running for 1 hour without reaching 80% of it's set point	Check to see if water probe is displaying the correct water temperature.
ER5 On Display DHW Problem	The control has determined an Indirect water heater problem, the boiler has cycled off 10 times during a call for domestic. The Indirect call will now be ignored, until power is reset or the indirect call is interrupted. (Not activated on Combi version))	1-Not enough flow to keep boiler from tripping on limit. Verify that a min. of 6 GPM flow is going through boiler & indirect circuit. 2- Reduce indirect Aquastat setting, or Increase difference between (Lo Setting) and (indirect Aquastat setting). 3- Indirect limit or wiring failure.
Burner shuts off before set-point temperature is reached (and burner light goes out)	Reset calculation being used to lower HI setting.	If OD probe is being used, the HI setting will be calculated using formula in Section 8.
	Air Proving Switch connected to suction side of blower is detecting too much restriction thus turning the burner off.	1-Check inlet venting for blockage. 2-Turn gas off and allow unit to ramp-up to maximum fan speed (205) and check pressure at hose barb on inlet. If suction pressure is greater then 1.5"wc inlet venting is too restrictive. 3-If suction pressure is not greater then 1.5"wc, remove hose from barb on suction side of boiler and check to see if problem is resolved. If yes, replace Air Switch (PN 82371). If no contact NY Thermal.
ASO Indicates that the Air Switch is Open	This is displayed when the boiler is expecting the air switch to be closed by positive pressure from the blower. It can occur momentarily during normal operation. A problem is indicated when ASO is displayed continuously.	1-Is the vinyl tube connected between the air switch and the fan discharge. 2-Is the fan running. If so check the connection between the vinyl tube and blower discharge for blockage. If not check wiring to blower. <i>(When the fan is turned on, the air switch is closed by positive pressure at the blower.)</i>
ASC Indicates that the Air Switch is Closed	This is displayed when the boiler has turned the blower off and is expecting the air switch to be open. It can occur momentarily during normal operation. A problem is indicated when ASC is displayed continuously.	1-Is the fan running. If so check for 24V between C and D terminals (see wiring diagram). 2-Check venting termination with required venting described in manual.
Ignition Sequence not activated when burner light is on (Fan is on and Fenwal not flashing)	Check for 24 Volts between terminal B1 on Sentry & Ground	1 – If there is 24V, indicates faulty wiring between B1 and W1 on Fenwal, or faulty Fenwal. 2 – If 24V is not present proceed to next step.
	Check for 24 Volts between terminal F1 on Sentry & Ground	1 – If 24V exists here but not at B1, indicates faulty relay inside Sentry, contact NTI, replace control. 2 – If 24V is not present check for 24V at transformer. – If 24V exists at transformer, check wiring and safety limits. If 24V not present at transformer, check wiring and replace transformer if necessary.

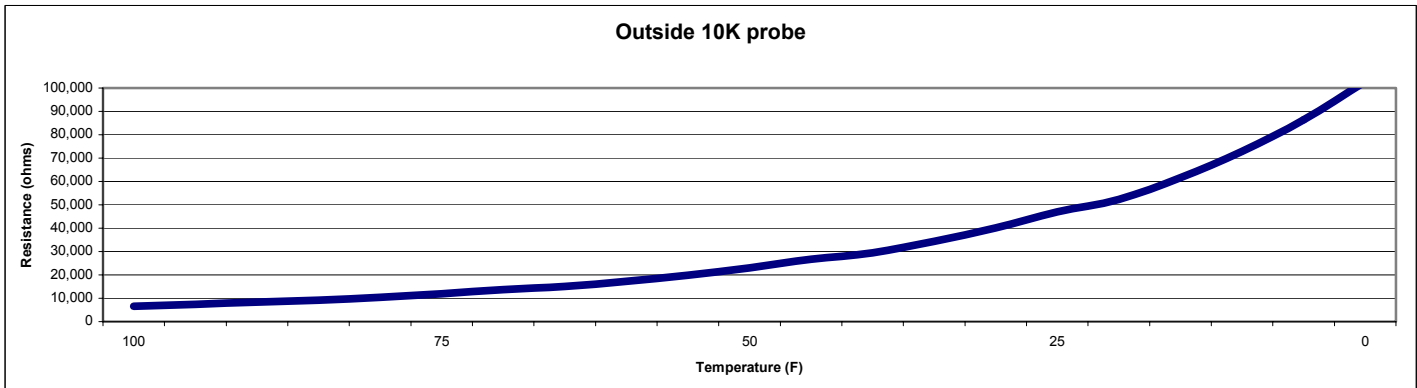
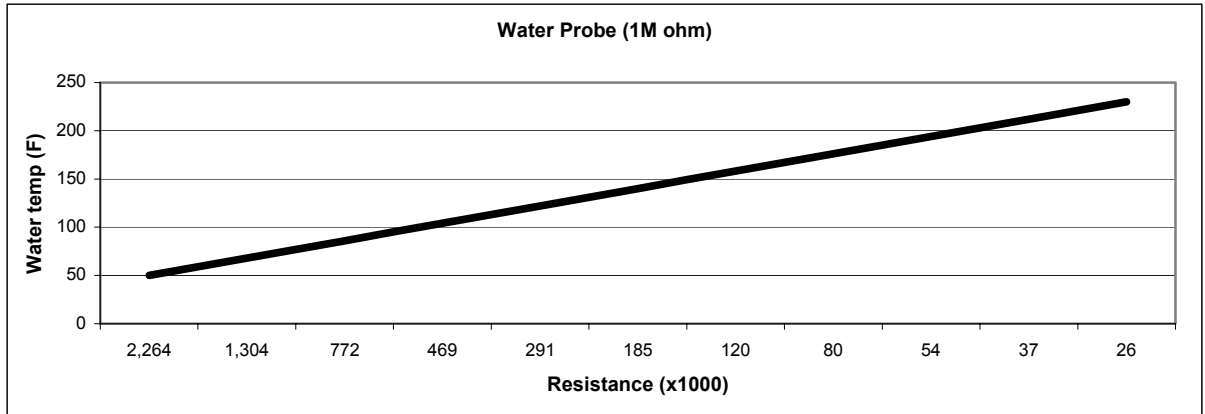
Continued	Water Safety Limit trips (Automatic reset) ((Located on the supply pipe inside the boiler cabinet))	Caused by an error in the reading of the temperature of the water by the Sentry control. Ensure that the thermister is firmly attached to the supply line. Watch cycle, and ensure the Sentry is displaying the correct water temperature and is modulating.
	Low Flow Limit Trips (Manual Reset) ((Located on front manifold of boiler))	This device protects the boiler from overheating due to a lack of flow passing through the unit when the burner is on. FLOW MUST NEVER BE BLOCKED BY ANY VALVES INCLUDING MIXING OR ZONE VALVES WHEN THE "THERMOSTAT DEMAND" LIGHT IS ON. Install unit as described in the manual.
	Stack Safety Limit Trips (Manual Reset) ((Located inside the boiler cabinet, between the flue box support bracket and the flue box))	This device protects the integrity of the plastic venting material. If the temperature of the flue box exceeds 225° F the limit will cut power to the control. Blocked internal tubes can increase the stack temperature to an unacceptable level. Flush out the boiler.

Problem	Detected Problem	Solution
Two Flashes on Fenwal	The Fenwal controller thinks that there is a flame prior to ignition.	If the combustion sequence is normal, and there is no flame prior to ignition, the Fenwal control is defective, and must be replaced.
Three Flashes on Fenwal	Indicates Ignition Lockout.	If the condensate drain gets blocked, the boiler will become flooded, and terminate operation, as the flame rod becomes immersed. This will damage the flame probe. To correct, free the drain blockage, and permanently prevent it from reoccurring. Remove and dry off the probe. Reinstall the probe and try for ignition, if it fails to ignite, leave the fan run for up to three hours to dry out the insulation and probe. Reset Boiler so it will attempt to ignite. Check for proper operation of ignition components. Make sure igniter glows and gas valve opens. Check for proper line pressure at gas valve when it opens. If boiler lights check for flame signal between FC1 And FC2 on Fenwal control (If lower then 1.2 micro Amps see " Boiler will not stay lit "). Check combustion properties.
Boiler will not stay lit.	Indicates lack of a good flame signal. In order to stay running the flame signal must be at least 0.7 micro Amps.	If the Burner light on the Sentry is going out, go to " Burner shutting off ". Check condensate drain for blockage and check the inlet piping for ingested snow or water (if the flame rod gets wet, it will need to be replaced). Check for resistance from flame rod to ground, must be an open circuit (O.L). Check polarity of line voltage wiring to the boiler.
Boiler bangs or hisses	Bangs or sounds like a kettle while burner is running indicates insufficient flow	Ensure the plumbing is as shown in manual. Check to see if pumps are faulty or end switches are stuck. This problem can lead to boiler overheating!
Sentry Controller Locks-up	Excessive noise, current, or voltage spikes in the 120V power supply.	Check for voltage at the wires going to the A-C-T terminals of the Sentry. Check the magnitude of the line voltage power supply. Check the Amp draw of output C1 and Ap (max 2.5 Amp). Check the Amp draw of control on start-up.(max 6 amps) Contact NY Thermal.
Display Goes Blank	No power to control or control failure	Check for 120V between terminals L1 and L2 at Sentry. If 120V exists contact NY Thermal and replace the control, first check for possible causes. If 120V not present, check wiring and for 120V at source.
Boiler Lights rough or pulsates	Typically a imbalance in the Air to gas ratio	Ensure that the venting lengths are in compliance with section 3.4 Ensure that the running line pressure at lighting does not drop more than 20% line pressure when off. Using a calibrate Analyzer, check the flue gases to ensure the proper combustion. (See section 5.2)

Fan appears to be creating a noise in the house	Slight vibration can cause noise in the residence (This is not a warranty issue)	Use flexible gas line to insolate the vibration noises between the gas valve and the line. Don't hang gas lines from floor joists. Use rubber insulators with gas line supports.
	Making a rubbing noise. ((This is not a warranty issue))	If gas valve is not held when the gas nipple is connected, the force of tightening the fitting can damage the valve, and warp the fan housing. If pipe is used, the gas line must not create any forces to the valve, either vertically (weight of line), or horizontally (misaligned connection)

The following are the thermister curves for diagnosing the water and outdoor air sensors.

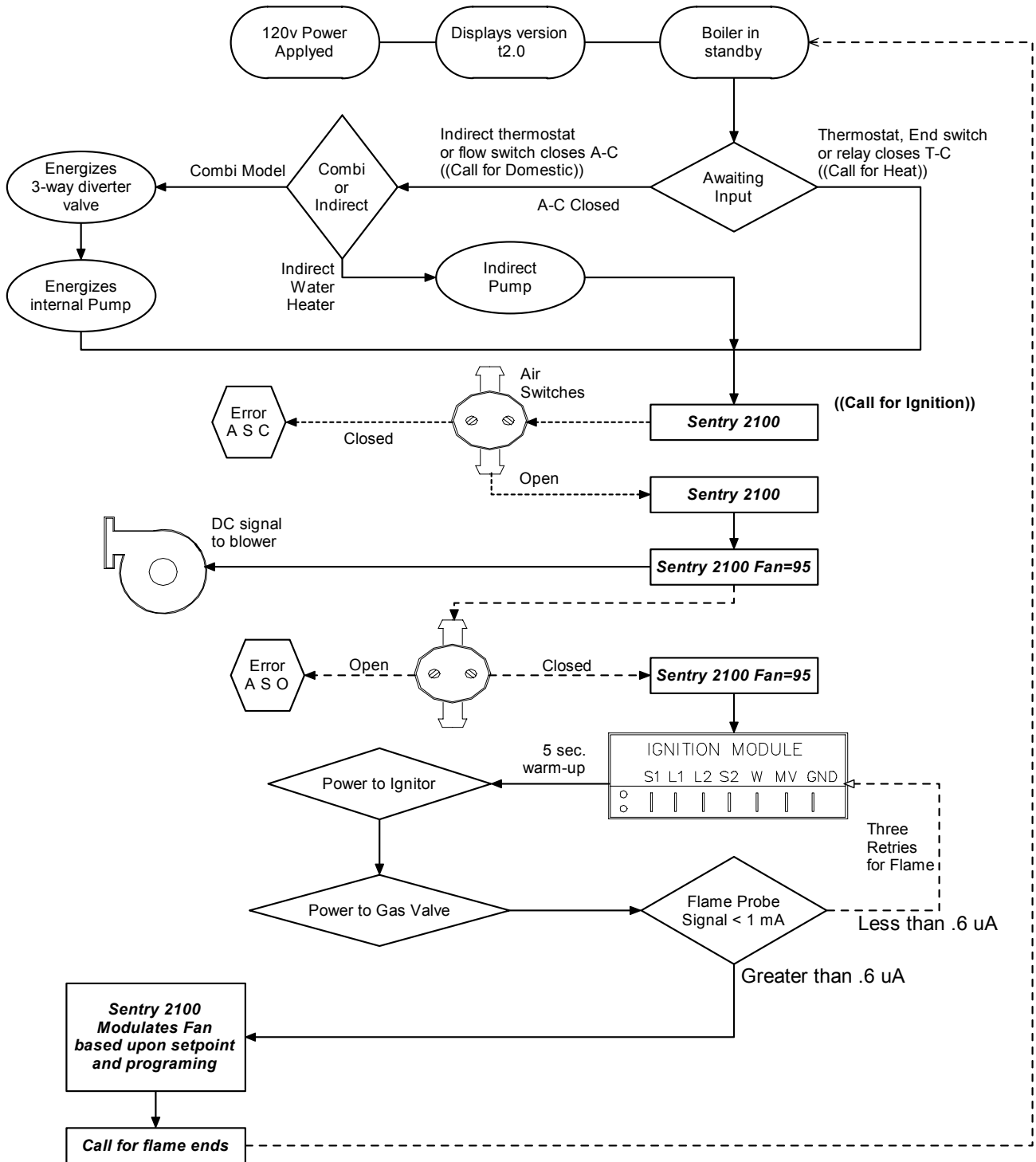
1. Measure the resistance of the thermister when disconnected.
2. Using the appropriate chart, find the resistance and move either vertical (water probe) or horizontal (air probe) until the line is intersected.
3. Move 90 degrees to the corresponding temperature.
4. If the temperature is plus or minus 10 degrees, then the probe is operating correctly.



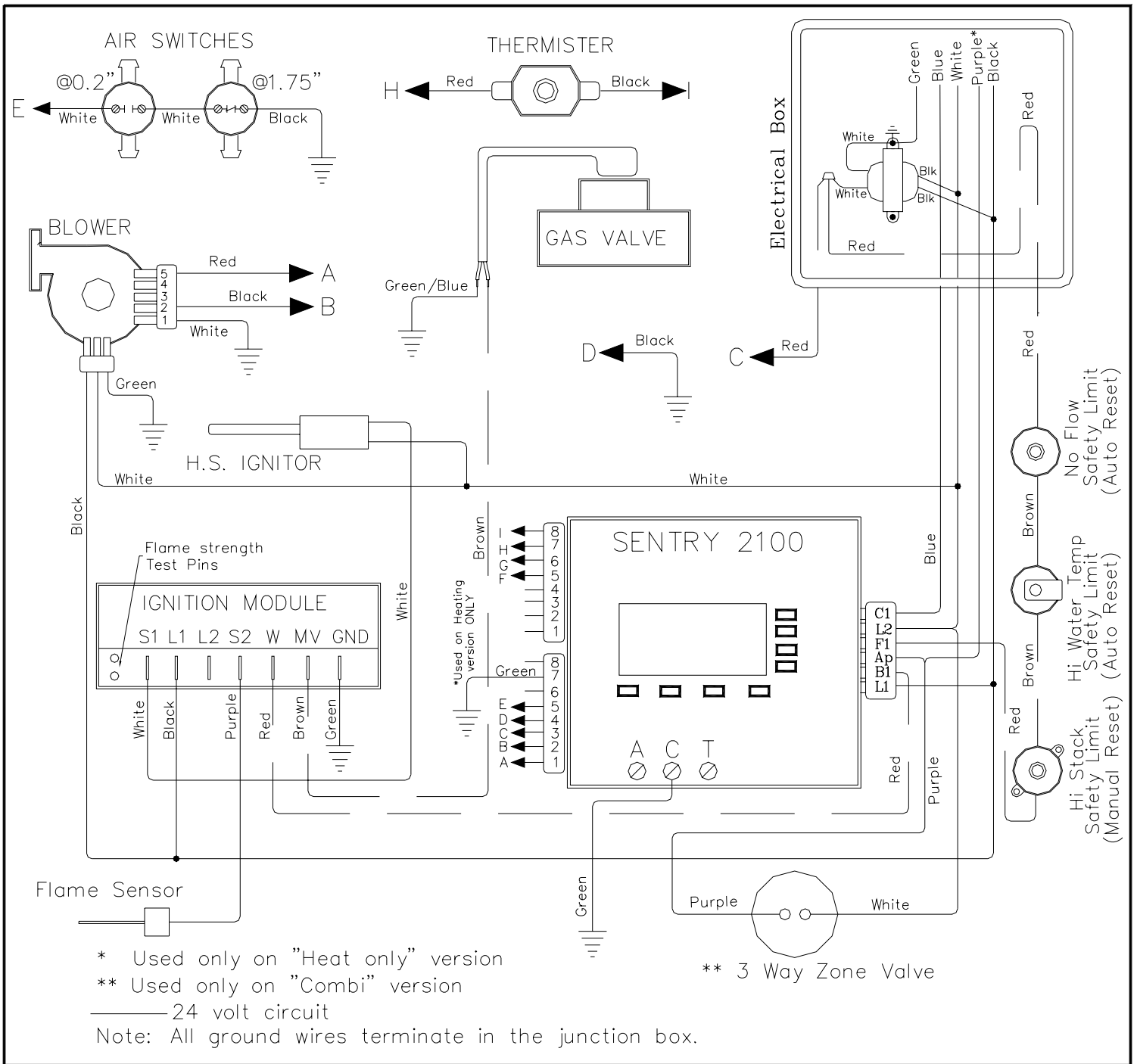
11.0 Sequence of operation

The following is the normal sequence of operation for the trinity boiler.

Trinity Sequence of operation



Wiring Diagram



12.0 INSTALLATION CHECKLIST

Installation

- a) Connect all plumbing, and ensure that there are no system leaks.
- b) Connect, secure, and glue all vent piping.
- c) Install all gas piping as per this manual, and local codes. Pressure test, to detect any gas leaks.

Start-up

1. Install pressure gauge (Gauge= 0" to 15" w.c. scale) and check line and manifold pressures. (See "Section 5.2")
2. Turn gas shut-off valve to the ON position.
3. Turn Power on to boiler.
4. Set Sentry Controller to desired settings.
5. Turn thermostat up, Ignition will occur.

Operational Checklist

Ensure that Carbon Dioxide Readings are within the acceptable ranges. Using an appropriate Oxygen or Carbon Dioxide analyzer, take a sample of the flue gas. The sample must fall within the acceptable Carbon Dioxide ranges, which is 8% - 9.5% for natural, and 9.0%-10.5% for propane. (See "Section 5.2")

Before Leaving

- Remove gauge from gas valve and tighten bleed screw and test plug for leaks.
- Allow boiler to complete at least one complete cycle, or at least 15 minutes running time.
- **Always verify proper operation after servicing**

IMPORTANT

It is imperative that you explain to the homeowner that it is their responsibility to:

- **Keep the vent terminal free of snow and ice.**
- **Periodically check the vent terminal for debris.**

13.0 ANNUAL MAINTENANCE AND INSPECTION

This unit requires very little maintenance, however a Qualified Technician should inspect it at the beginning of every heating season. **Inspection Check list:**

- 1.) Lighting is smooth and consistent, and the combustion fan is noise & vibration free.
- 2.) The condensate freely flows from the unit, and is cleaned of sediment..
- 3.) Relief Valve and air vents are not weeping.
- 4.) Low water cut off is flushed (if applicable)
- 5.) Examine all venting, for evidence of leaks, and vent screens are cleaned.
- 6.) Check the burner plate for signs of leaking.
- 7.) Verify the vent clearance as per Section 3.0
- 8.) Listen for water flow noises indicating a drop in boiler water flow rate. The boiler and hydronic system may need to be flushed to eliminate hard water scale (Recommend using Fernox DS-40 de-scalar).

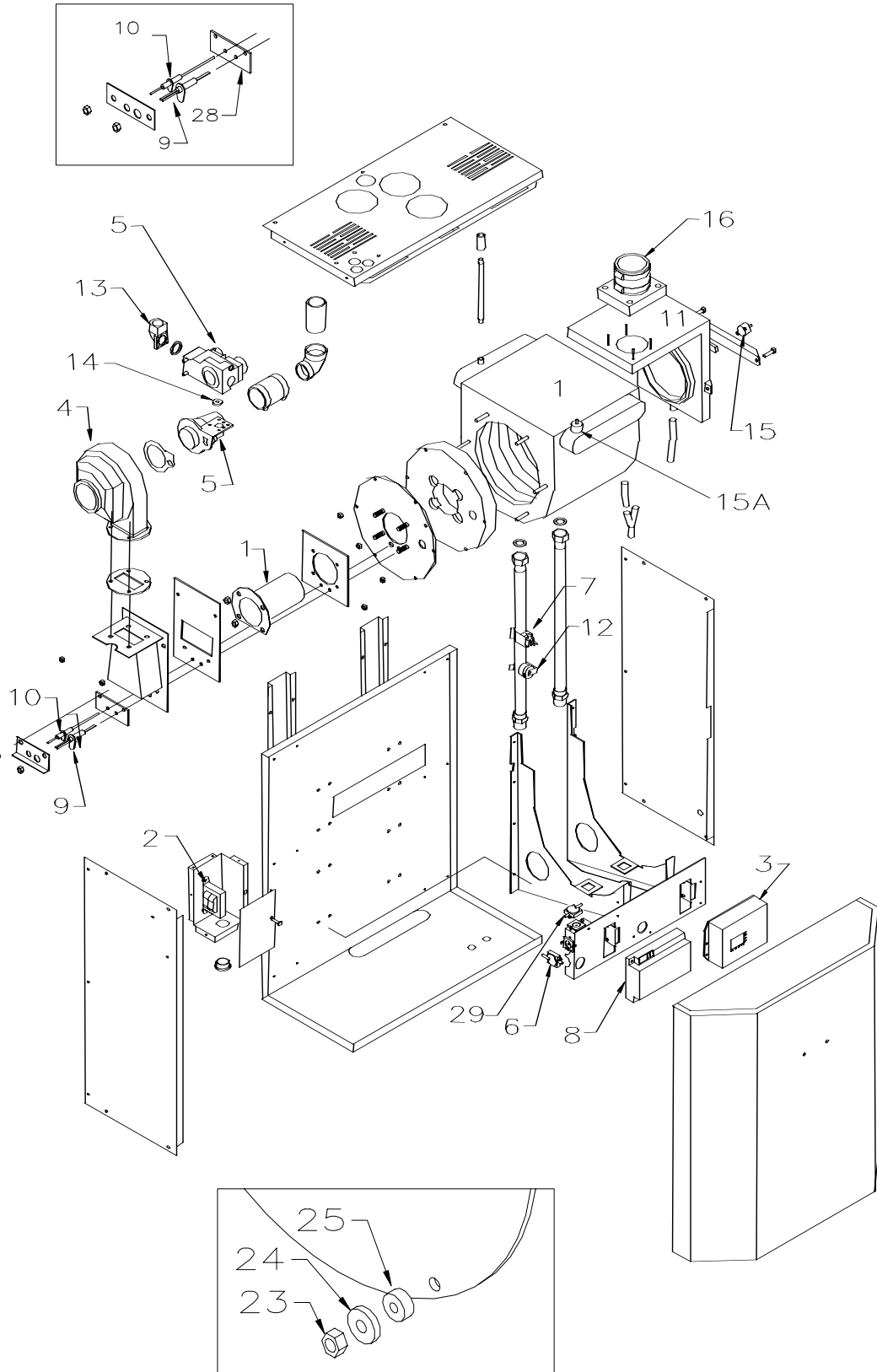
13.01 Combustion Chamber Cleaning

Once every second year the burner door should be removed so the combustion chamber can be inspected for flue gas blockage. Such blockage will reduce the boiler's capacity/firing rate and can impact negatively on how smooth and efficiently the burner lights. Vacuum out any loose build-up and clean the heat exchanger surface with an appropriate cleaner for combustion chambers (recommend using Sotin 300). Use a nylon or other non-metallic brush to loosen the sulfate incrustations and any other contaminants. Rinse with water allowing the solution to exit via the condensate drain. This process may warrant removing the insulation disc from the back of the heat exchanger.

14.0 PARTS LIST

Replacement parts are available from your stocking wholesaler. Homeowners must contact their local Installer or Wholesaler. Installers or Wholesalers may contact NY Thermal Inc. for assistance at 506-432-1130. Notes: *Used for Combi version Only.

No.	P.N.	Description
1	82379	T150 Burner Assembly (T150 boiler Only)
1	82381	T200 Burner Assembly (T200 boiler Only)
2	81457	Transformer, 24V , Frost, FTB1224PAA100
3	82013	Sentry 2100 Assembly #CNTLNY04 (PWM)
4	82053	EBM BLOWERS #RG148/1200
5	82054	Gas Valve (CVI) VK8115F1134B
6	82056	Air switch (n.o.)MPL 501 @ .1"wc. & 15-001-G-05
7	82057	Thermister #7335 115 Honeywell I Mohn
8	82058	Ignition Modul Fenwall #2465H-006 11
9	82059	IGNITER, Norton 601, 120v, 5 sec, 2.5" insertion
10	82060	Flame probe, Fenwal # 22-100001-62
11	82373	Stainless Steel Smoke Hood
12	82232	Safety Limit# 37T31 #31466
13	82065	Gas Valve (CVI) 1/2" npt elbow #45.900.400-132B
14	82066	CVI 5.55mm Nat - LP orifice #45.900.444.118
15	81873	Stack Safety Sensor (manual Reset)
15a	82655	NO Flow Sensor (Automatic Reset)
16	82267	Flue pipe connector
17	82368	Compression nut Washer
18	82127	Condensate nylon Y
19	82188	Trinity burner gasket
20	82493	Trinity blower gasket
21	82231	Ceramic burner door disc
22	82342	Burner door O-Ring
23	82178	M6 Brass Nut
24	82369	M6 Zinc Washer
25	82292-1	Door Stud Gasket
26	82343	Burner door 3/8"H.D. Rope Gasket
27	82248	No Longer Used
28	82494	Trinity Igniter gasket
29	82371	Air switch (n.c.) opn@ 1.75"wc. #MPL501-G-1.-SPC-N/C
	81896*	Flow switch FS-380, .5activate
	82011*	Plate heat exchanger LA1430
	82159*	3 way actuator VU444A1007B
	82160*	3 way Valve VU54S2016B, 3/4"
	82228*	Tempering valve #AM101-US-1



15.0 WARRANTY

What is Covered.

We the manufacturer, warrant that any parts or components of each new boiler will be supplied free of defects in material or workmanship. This warranty replaces any other warranty implied or expressed. All the duration's, terms and conditions mentioned hereafter are for manufacturer defects due to material or workmanship only, and do not include misuse or normal wear of the equipment. Equipment returned for warranty consideration, will be evaluated upon the condition of the part when examined by NY Thermal or an authorized service representative. Undue care taken during handling may VOID the warranty.

Basic Coverage A

We will repair or replace any component supplied, or manufactured by NY Thermal INC., that is found to be defective for a period of one (1) year, from date of installation, if found to be in concurrence with the original manufacturers warranty.

Extended Coverage B

If the homeowner registers the installation with NY Thermal within 1 year of the original date of installation, we will repair or replace the pressure vessel, if found to be defective for a period of five (5) years, from the date of installation, if found to be in concurrence with the recommended installation and terms and conditions of this warranty.

Extended Coverage C

If the homeowner registers the installation with NY Thermal within 1 year of the original date of installation, we will repair or replace the pressure vessel, found to be defective from year 6 through year 10, on a pro rated bases from 80% of a new pressure vessel in year 6 to 10% of a new pressure vessel in year 10, if found to be in concurrence with the recommended installation and terms and conditions of this warranty. Labor to install is not covered by the warranty.

TERMS AND CONDITIONS

1. These terms and conditions void any of the preceding warranty statements:
 - A. Damage due to installation not in accordance with this manual and local codes, and regulations.
 - B. Any repairs or replacements made without authorization or notification to the manufacturer.
 - C. This warranty doesn't cover the labor and shipping costs associated with installing a repaired or replaced boiler.
 - D. Decision of warranty repairs or replacements to boiler will be at the discretion of the manufacturer or authorized service representative.
 - E. Corrosion or pitting of the heat exchanger caused by air that contains chloride, fluoride, bromine, iodine or other hazardous or corrosive gases.
 - F. Corrosion or pitting of the heat exchanger caused by oxygen, or contaminants in the heating system.
 - G. Damage or corrosion to the heat exchanger, caused by hard water, sludge, excessive scaling, or sulfur in the fuel greater than 30 mg/m³.
 - H. Damages due to the system not provide and ensuring flow through the boiler when the burner is on.
2. NY Thermal Inc. is not responsible for reimbursement for labor, fuel, or punitive damages caused by the operation or failure of the equipment.

WHAT TO DO IN THE CASE OF A WARRANTY SERVICE PROBLEM

1. Contact your installing contractor or burner service company
2. If your contractor or service representative requires further help, they will contact us directly.
3. If for any reason you cannot contact your contractor or service rep. contact us at **(506) 432-1130** to the attention or the service department.
4. Please realize that we as the boiler manufacturer will replace or credit the parts under warranty credits are at our cost, so don't purchase replacement parts from suppliers with hopes of receiving 100% credit. Thus it is recommended to receive all your warranty parts from your authorized service rep. or us directly, at no charge (if under the warranty coverage).
5. We are very concerned about the service that you receive, so if you have complaints concerning the authorized service representative we would very much appreciate your evaluation.

Warranty Registration Form (Must be received within 1 year of installation)

Name: _____ Address: _____ City: _____

Province: _____ Boiler Model _____ Serial Number _____

Installers Name _____ Date of Installation: _____

Return to: **NY Thermal Inc.**, 31 Industrial Drive, Sussex, NB, E2E 2R7